

FlashGuard™ 2000B

Medium Intensity Lighting System

FAA Type: L-865 Medium
Intensity White Lighting

ICAO Type: Medium Intensity
Obstacle Light

Applicable Specifications:

Conforms to: FAA Advisory
Circular AC 70/7460-1
FAA Advisory Circular AC
150/5345-43E
ICAO Annex 14
Transport Canada TP 382E
DGAC of Mexico 150/5345-43E

FlashGuard™ 2000B System Description

The FlashGuard 2000B Medium Intensity White Lighting System combines a daytime white strobe light and a nighttime white flashing light into a single flash-head. The system is also available as a red flash-head which can be used at night in place of red incandescent lighting, for much longer light source life. The flash-head is powered and controlled by a power supply that can be mounted remotely at the base of the structure. The power supply constantly monitors the operation of the system, and provides alarm contact closure upon any failure.

The system automatically switches between day, twilight, and night intensities by the use of a calibrated photocell. FlashGuard 2000B flash-heads incorporate a light blocking strip that minimizes ground scatter light, resulting in a community friendly lighting system.



Honeywell
2142 Union St. Elms Valley, CA 92668
FAA APPROVED
OBSTRUCTION LIGHTING
FAA TYPE L-865 - FLASH HEAD
S/N: 804892 CAT # 10000000
000410V
E11

Application

Medium Intensity obstruction lighting systems are typically used on structures between 150' (45M) and 500' (150M) above ground level to provide aviation safety. The use of a medium intensity white strobe during the daytime typically eliminates the need to paint the structure with aviation orange and white stripes. The use of a white flashing strobe at night provides a 'eye catching' light for low flying aviators. Honeywell medium intensity obstruction lights are designed for lighting tall structures such as communication, television and radio towers, chimneys, cooling towers, tall buildings, catenary river crossings and bridges.

FlashGuard™ 2000B System Features

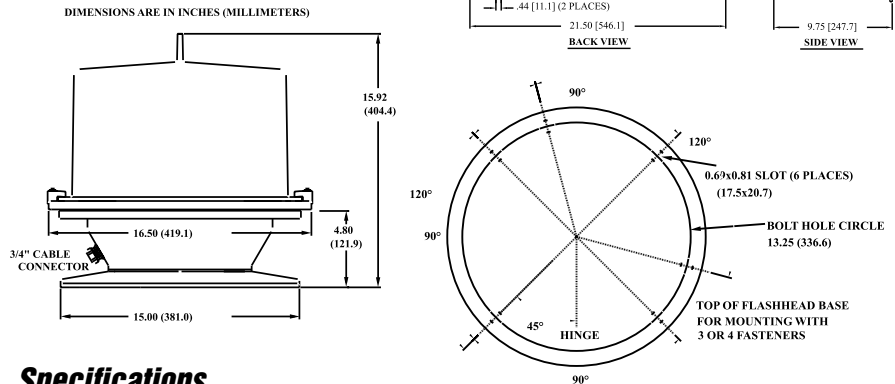
- Single flashhead provides white medium intensity, or red medium intensity operation with no moving parts.
- Precise optics minimize ground scatter light
- Alarm contacts provided for connection to any monitoring system
- Honeywell monitoring and remote diagnostic upgrades available
- Rugged design of flashhead and power supply is suitable for outdoor installation in any climate

FlashGuard™ 2000B Flashhead

- Optics provide Medium Intensity White Strobe lighting, or Medium Intensity Red Strobe lighting
- Internally triggered Xenon strobetubes utilized for long-life and maximum efficiency, without creating corrosive ozone
- Parabolic reflector/linear strobetubes optics combination provides very precise optics and blocks ground scatter light in white operation
- Lens raises and locks in place, providing easy access to strobetubes
- Only 3 components used in flashhead - minimal maintenance required at top of structure
- Safety interlock switch included
- No moving parts
- High temperature, UV resistant acrylic used for flashhead lens

FlashGuard™ 2000B Power Supply

- Provides power electronics, timing circuitry, and monitoring for lighting system
- Automatic day/night intensity control
- Control and monitoring for up to four steady burning obstruction lights included
- Manual intensity override
- Easily accessible components
- Plug-in circuit cards
- Fail-safe monitoring system with three remote alarm contacts
- Stainless steel NEMA 4X enclosure
- Low power consumption



Specifications

Photometrics	Day/Twilight Mode (White)	20,000 candela +/- 25%
	Night Mode (White)	2,000 candela +/- 25%
	Beam Spread	3° minimum
	Horizontal Coverage	360°, omni-directional
Environmental	'Ground Scatter Light' cut-off angle	< 3% light output at -10° vertical in day or backup night operation
	Flash Rate	40 FPM day and night operation
	Temperature	-55°C to +55°C (-67° F to +130°F)
	Humidity	95% relative humidity
Mechanical	Will withstand exposure to:	Wind-blown rain from any direction Salt-laden atmosphere Windspeeds of 240 kph (150 mph)
	Dimensions	See drawings
	Weight, Flashhead	10 kg (22 lbs)
	Weight, Power Supply	24 kg (53 lbs)
	Power Supply enclosure rating	NEMA 4X
	Power Supply enclosure material	304 stainless steel standard, 316L stainless steel optional
	Flashhead cover material	High temp, UV resistant acrylic
	Input Voltages Available	120, 208, 240, 277, 380, 480 VAC, Single or Three Phase 24 VDC
	Input Frequencies Available	50 or 60 Hz
	Power Consumption, Day Mode	208 Watts
	Power Consumption, Night Mode	77 Watts
	Peak Inrush Current	6.95A@120VAC
	Alarm Contacts (form C dry-contact)	3 total: Power Failure, Strobe Failure, Day/Night Status

Honeywell


Honeywell Obstruction Lighting

2162 Union Place
Simi Valley, CA 93065 · U.S.A.
805.581.5591 tel · 805.581.5032 fax

Honeywell Canada Ltd.

25-760 Pacific Road
Oakville, ON L6L 6M5 · Canada
905.469.8882 tel · 905.469.1599 fax

www.oblighting.com

A60-0763-000-000
January 2001
Printed in U.S.A. 
©2001 Honeywell Inc.