



LED 170W Obstacle lighting system for wind turbines

Complies with Regulations

- National regulation for marking aeronautical obstacles, part A and B

Application

Night marking of wind turbines according to the national regulation for marking of obstructions to air traffic „Richtlinie zur Kennzeichnung von Luftfahrthindernissen“ issued by the German Federal Ministry of Transport, Building and Housing. Type „W red“

AEROSPACE



Function

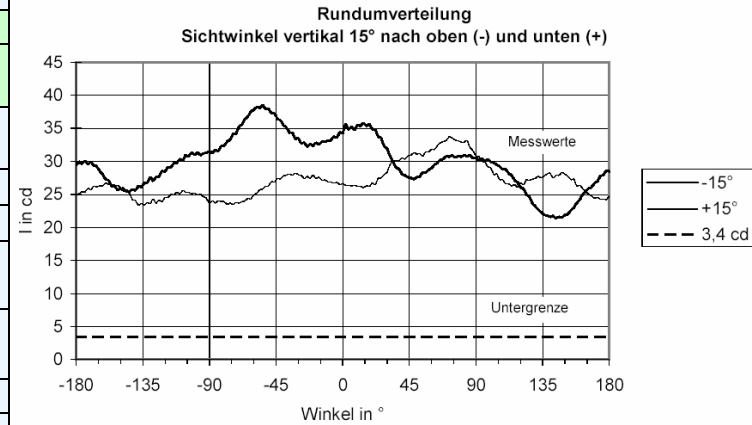
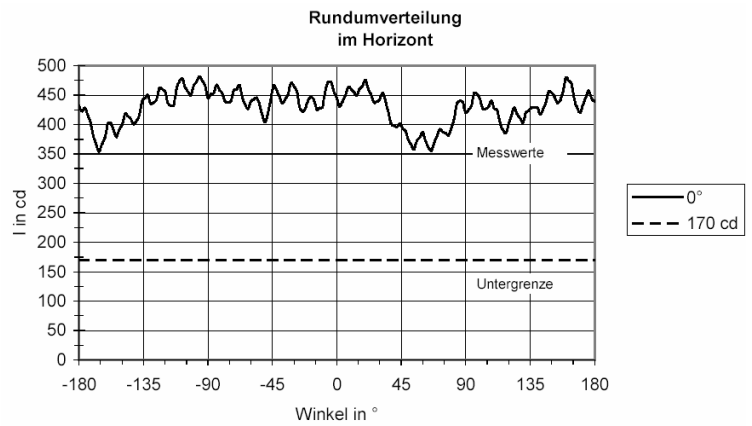
A pair of the flashing red obstruction lights LED 170 are specified for the night marking of wind turbines higher than 100 m. The timing of the LED 170 flashing identifies the marked obstruction as wind turbine to the pilots of aircrafts. The system automatically switches on by the use of a calibrated photocell. In order to allow synchronization of the flashing of the LED 170 lights with those on other wind turbines the LED 170 is optionally synchronized by the use of GPS. The pair of 2 LED 170 lights per wind turbine in conjunction with a separate uninterrupted power supply plus control electronics forms the flashing light system designed for an individual wind turbine. The LED 170 light is maintenance free.

Features.

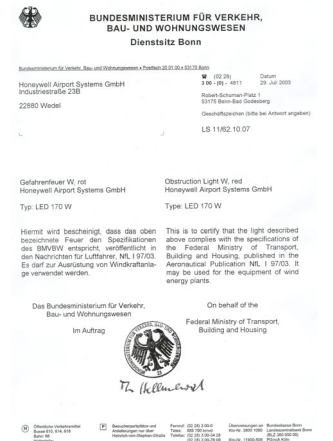
- Maintenance-free obstruction light using high-lumens LED's
- High lifetime by optimized heat dissipation and low operating current of the LEDs
- Constant light output by compensation of temperature changes
- Rugged housing with self-cleaning transparent cover
- Mechanical interface identical to that of the introduced FG 2000B/3000B light family
- Fault detection

Technical data LED 170 W	
Power supply System	690 or 230VAC, 50Hz
Powerconsumption System	approx. 400VA at start of charge
Mechanical dimensions one light	381 x 405 mm (L x H),
Weight one light	approx. 8,5 kg
Powerconsumption one light	approx. 22 Watt
Light sources	High performance LEDs with wide angle secondary optics
Light intensity	>170 cd , see light distribution charts
Horizontal beamspread	360°
Vertical beamspread	min 170cd at $\pm 5^\circ$, min 34cd at $\pm 10^\circ$, min 3,4cd at $\pm 15^\circ$
Timing of flashing	1s on – 0,5s off – 1s on – 1,5 s off

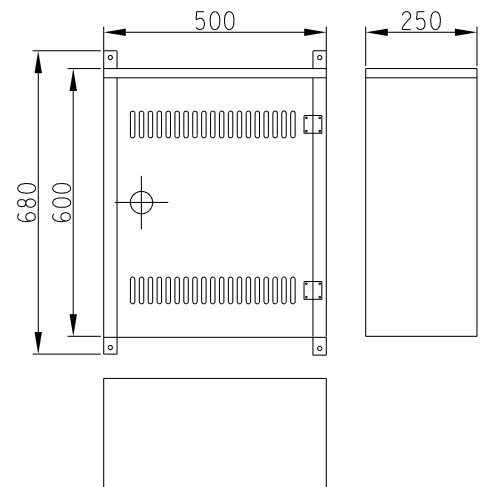
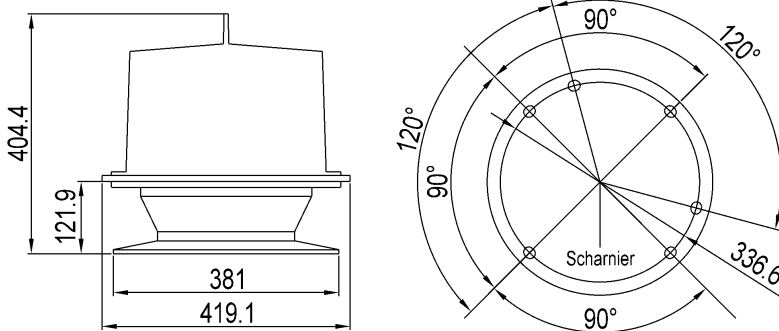
Ordering information	
LED 170W – 230 V AC, 50 Hz	65 874 240
LED 170W – 690 V AC, 50 Hz	65 874 616
LED 170W – 230 V AC, 50 Hz, with GPS sync.	65 874 617
LED 170W – 690 V AC, 50 Hz, with GPS sync.	65 874 618



The light distribution charts are measured by „Wasser- und Schifffahrtsverwaltung des Bundes FVTWSV“, Germany and kindly put at our disposal.



Dimensions of LED 170 light and controller



Honeywell

65 874 700 - BRE

September 2003
Printed in Germany
© 2003 Honeywell International Inc.

Airport Systems
Honeywell
2162 Union Place
Simi Valley, CA 93065
U.S.A.
Telefon: (805) 581-5591
Fax: (805) 581-5032

www.airportsystems.honeywell.com

Airport Systems GmbH
Honeywell
Industriestrasse 23-33
22880 Wedel
Germany
Telefon: +49 (0) 41 03/8004-0
Fax +49 (0) 41 03/8004-599

www.honeywell.de/airportsystems