



MICRO SWITCH™
Heavy-Duty Limit Switches
HDLS Series



MICRO SWITCH™ HDLS Series Heavy-Duty Limit Switches

Honeywell Sensing and Control's MICRO SWITCH™ heavy-duty limit switches' modular construction allows for a wide variety of actuator styles, operating heads, and electrical circuitry options. The plug-in versions greatly reduce downtime on production lines with high actuation rates as replacement of the switch is accomplished in seconds. The base receptacle contains all the wiring and conduit connection while the switching component with operating head easily assembles to the base and is attached with two screws.

What makes our switches better?

- Industry-leading breadth-of-product offering: HDLS standard, HDLS harsh-duty epoxy sealed, or the HDLS stainless steel
- NEMA 1, 3, 4, 4X, 6, 6P, 12, 13 and IP65/66/67 environmental sealing for demanding applications
- UL, CSA, CE, and CCC approvals for global use
- Sintered bronze bearing on 303 stainless steel operating shaft for enhanced mechanical life (50 million actuation cycles) and operational reliability
- All-metal drive train for consistent operating characteristics, even at high temperature. Lasts longer (without need for frequent adjustment) than drive trains with plastic parts
- Exclusive teller tab ensures proper torque. When it cannot be moved, the lever is tight enough to prevent slippage



RELIABILITY • DURABILITY
MODULAR • GLOBAL

Features and Benefits

SEALED TO NEMA 1, 3, 4, 4X, 6, 6P, 12, 13; IP 65/66/67

MICRO SWITCH™ HDLS limit switch **NEMA/IP sealing** features twin shaft seals for an extra measure of protection. They are ideal for many applications with **demanding indoor and/or outdoor environments**, where they may be subjected to shock or vibration from equipment, temperature extremes, dust, splashing water, coolant, and/or hose-directed water.

Works the first time – every time

WITHSTANDS MANY TOUGH ENVIRONMENTS

Rugged, **corrosion-resistant zinc head and body** are phosphate treated and epoxy coated for indoor and outdoor applications. **Diaphragm seal** between head and body provides an extra measure of protection. Functions with exposure to severe temperatures, dust, dirt, grime, and caustic chemicals.

Rapid customization and design-in time

USED GLOBALLY

Multiple connectivity options for international applications, as well as global approvals. Large, existing installation base and channel allows for quick delivery worldwide. **UL, CSA, CE, and CCC** approvals.

OPTIONAL SEALS

Fluorosilicone seals available for low temperature applications, and **fluorocarbon seals** available for chemically harsh environments and higher temperature applications.

UNIQUE DESIGN FEATURES

Keyed head design for **secure head-to-body retention** with the head in any one of four positions 90° apart. Self-lifting pressure plate terminals **saves wiring time**.

DESIGN FLEXIBILITY

Wide variety of actuators, switch options, and head styles for design flexibility. Rotary actuated heads are **field adjustable** for CW actuation, CCW actuation, or both to reduce inventory.

EASILY CONTROLS LOW-VOLTAGE DC APPLICATIONS

Limit switches available with a choice of **silver or gold-plated contacts** to handle a variety of electrical load requirements.

INTERCHANGEABLE

Plug-in and non plug-in bodies have identical operating characteristics and are **dimensionally interchangeable to reduce complexity**. Actuating levers for single and double pole, plug-in and non plug-in bodies provide same tracking and minimize inventory.

Potential Applications



MACHINE TOOLS

Determines part presence, machine side position/stops, gates and doors

AUTOMOTIVE MACHINE TOOLS

Provides presence sensing on transfer machines, horizontal and vertical boring machines, stamping and forming equipment and automotive assembly line equipment

MATERIAL HANDLING

Used to position automated vehicle wash systems, overhead doors, garbage truck bodies, cranes, intermodal container handlers, gantry cranes, commercial aircraft boarding bridge



OUTDOOR ELECTROMECHANICAL STRUCTURES

End of travel indicator for equipment with moving components in harsh environments and remote locations, such as satellite and weather station arrays and solar energy harvesters

BALERS/COMPACTORS

Used as door interlocks for indoor and outdoor applications

CONVEYORS

Used for alignment/tracking, tensioning, and product/material presence

FOOD AND BEVERAGE

Used for process control, and packaging

POWER PLANTS

Used on conveyors, doors and gates

OFF-ROAD EQUIPMENT

Senses position of large components on wheeled or track equipment, motorized railroad switch, and rail locomotives

AGRICULTURAL EQUIPMENT

Grain handling and livestock equipment

VALVES

Indicates closed and/or open position

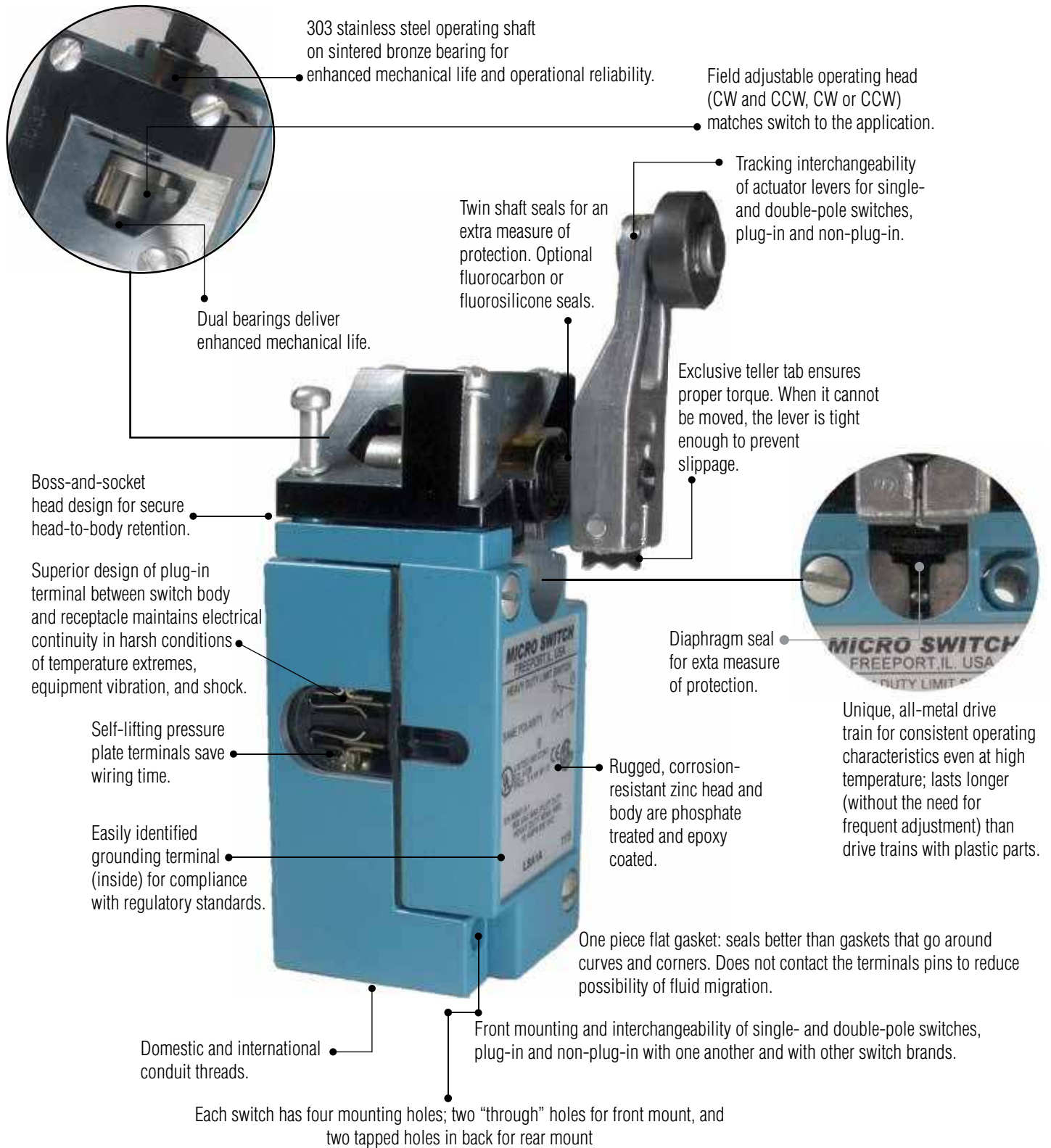
TRANSPORTATION HUBS

Commercial aircraft boarding bridge, commercial aircraft ground support equipment, intermodal container handlers, gantry cranes, shipboard conveyors, door/hatch position & valve position, railroad locomotives and rail maintenance equipment



MICRO SWITCH™ Heavy-Duty Limit Switches

Figure 1. MICRO SWITCH™ HDLS SERIES FEATURES AND OPTIONS



HDLS Series

Table 1. Specifications

| Characteristic | Parameter | | |
|--------------------------------|--|--|---|
| Product type | MICRO SWITCH™ heavy-duty limit switches | | |
| Acutators | Side plunger - adjustable Side roller plunger Top plunger - adjustable Top rotary Wobble - coil spring | Side plunger - pin Side rotary Top plunger - pin Wobble - cable Wobble - plastic rod | Side plunger maintained - pin Side rotary maintained Top roller plunger Wobble - cat whisker Wobble - spring wire |
| Circuitry | 1NC 1NO SPDT snap action, double break 2NC 2NO DPDT center neutral, snap action, double break 2NC 2NO DPDT snap action, double break 2NC 2NO DPDT sequential, snap action, double break | | |
| Electrical | 10 A thermal Single and double pole: AC15 A600; DC13 R300 (see table on page 8) | | |
| Housing material | Zinc die-cast with an electrostatic epoxy coating | | |
| Termination types | 0.5 in - 14NPT conduit PG 13,5 conduit 4-pin mini-style connector 6 ft cable | 0.75 in - 14NPT conduit 20 mm conduit 5-pin mini-style connector Manifold mounting | 12 ft cable 4-pin micro-style connector 9-pin mini-style connector |
| Housing type | HDLS Plug-in, HDLS Non-Plug-in | | |
| Sealing | IP65/66/67; NEMA 1, 3, 4, 4X, 6, 6P, 12, 13 | | |
| Operating temperature | -12 °C to 121 °C [10 °F to 250 °F]; optional: -40 °C to 121 °C [-40 °F to 250 °F] | | |
| Agency approvals and standards | UL, CE, CSA, CCC | | |
| UNSPSC code | 302119 | | |
| UNSPSC commodity | 302119 Switches and controls and relays | | |
| Sealed | Industrial | | |

MICRO SWITCH™ Heavy-Duty Limit Switches

MICRO SWITCH™ HDLS SERIES NOMENCLATURE

| LS | A | | 1A | | | 1 | - | | | | | |
|---|---|---|---|---|---|--|---|-------------------------------------|--|---------------------------|---|---------------------------|
| Switch Type | Heads | | Body/Basic Switch Codes | | | Modification Codes | | Wobble Actuator | | | | |
| HDLS Series Heavy-Duty Limit Switch * 3 or 4 after the "LS" indicates special metric conduit threads: 3 = PG 13,5 4 = 20 mm | A Side rotary, momentary | L Side rotary, sequential | Plug-in Single Pole | | | Plug-in Double Pole | | Non-plug-in Double Pole | | A 4-pin mini-style | PA 5-conductor STOOW-A cable, 8 ft | 7A Wobble, plastic |
| | B Top rotary, momentary | M Side rotary, center neutral | 1A Standard switch | 2B Standard switch | 4L Standard switch | B 5-pin mini-style | XA 9-conductor STOOW-A cable, 8 ft | 7M Wobble, wire | | | | |
| | C Top plunger, plain | N Side rotary, maintained | 1E Gold contacts | 2C Sequential | 4M Sequential | C 5-conductor STOW-A cable, 6 ft | PB 5-conductor STOOW-A cable, 30 ft | 7N Wobble, cable | | | | |
| | D Top roller plunger | P Side rotary, momentary, low pretravel | 1G Gold contacts, manifold mount | 2D Center neutral | 4N Center neutral | E 4-conductor SJTOW-A cable, 6 ft | 1 Clockwise head rotation | 8A Cat whisker, 5.5 in steel | | | | |
| | E Side plunger plain, momentary | R Side rotary, momentary, low torque | 1H Low force | 2R 120 V neon indicator | 4S Standard switch golf contacts | J 8-pin mini-style | 2 Counterclockwise head rotation | 8B Cat whisker, 7.5 in steel | | | | |
| | F Side plunger roller, momentary | S Side rotary, gravity return extr. low torque | 5A 120 V neon indicator | 2S Standard switch golf contacts | 4T Sequential, gold contacts | M 9-conductor STOOW-A cable, 6 ft | 3 Head assembled with actuator to right side | 8C Coil spring, 5.5 in | | | | |
| | G Side plunger plain, maintained | T Side rotary, momentary, extr. low torque | 8A 240 V neon indicator | 2T Sequential, gold contacts | 4U Center neutral, gold contacts | P 5-conductor STOOW-A cable, 12 ft | 4 Head assembled with actuator to left side | 8D Cat whisker, plastic | | | | |
| | H Side rotary, momentary, low pretravel & torque | U Side rotary, momentary, 5" max. pretravel | 9A 24 V LED indicator | 2U Center neutral, gold contacts | 7L Standard switch, 1/2 in conduit | R 9-pin mini-style | 5 Head assembled with actuator to mounting surface | | | | | |
| | J Wobble stick | V Top plunger, adjustable | Non-plug-in Single Pole | 6B Standard switch, 1/2 in conduit | 7M Sequential, 1/2 in conduit | S 5-pin micro-style | 6 Roller perpendicular to mounting surface | | | | | |
| | K Cat whisker | W Side plunger, momentary, adjustable | 3K Standard switch | 6C Sequential, 1/2 in conduit | 7N Center neutral, 1/2 in conduit | X 9-conductor STOOW-A cable, 12 ft | 7 Indicator light wired to normally closed circuit | | | | | |
| | | | | 6D Center neutral, 1/2 in conduit | 7S Stnd. switch, gold contacts, 1/2 in conduit | BB 3-foot mini-style pigtail, single pole | 8 Roller on side plunger in vertical position | | | | | |
| | | | | 6R 120 V neon indicator, 1/2 in conduit | 7T Sequential, gold contacts, 1/2 in conduit | DD 4-pin micro-style with jumper | | | | | | |
| | | | | 6S Stnd. switch, gold contacts, 1/2 in conduit | 7U Center neutral, gold contacts, 1/2 in conduit | | | | | | | |
| | | | 6T Sequential, gold contacts, 1/2 in conduit | | | | | | | | | |
| | | | 6U Center neutral, gold contacts, 1/2 in conduit | | | | | | | | | |

NOTE: Not all combinations of model codes are available. Please contact your local Honeywell provider for assistance.

HDLS Series

ASSEMBLY MODIFICATIONS • ROTARY

Momentary action rotary switches can be furnished in other than the normal assembled conditions. To specify modifications, add the numbers shown below to the catalog listings. Modification number suffixes are:

- 1 Clockwise actuation only
- 2 Counterclockwise actuation only
- 3 Shaft to right of switch front
- 4 Shaft to left of switch front
- 5 Shaft to back of switch
- 7 Indicator light wired to NC circuit

For example,

Catalog listing LSA1A**23** is an LSA1A switch adjusted for counterclockwise actuation only. The operating shaft is to the right side of the switch when viewing it from the front (label side). No lever.

Catalog listing LSA8A**7** is an LSA8A switch with the 240 volt indicator light wired to the NC circuit. No lever.

PLUNGER ASSEMBLY MODIFICATIONS

Add the following modification numbers to the catalog listing in the plunger switch:

- 3 Side plunger to right of switch front
- 4 Side plunger to left of switch front
- 5 Side plunger to back of switch
- 6 Roller on top plungers perpendicular to mounting surface
- 7 Light on indicator versions wired to NC circuit
- 8 Roller on side plungers in vertical position

For example,

Catalog listing LSF1A**3** is an LSF1A switch with the side roller plunger to the right side.

PLUG-IN VS. NON-PLUG-IN MODELS

Honeywell HDLS limit switches are offered in two styles: non-plug-in design and plug-in design. With plug-in construction, the wiring and conduit connection is made to the base receptacle. This feature reduces downtime as the plug-in unit can be removed and replaced without disconnecting the wiring or conduit connections to the switch.

MICRO SWITCH™ HDLS SERIES ELECTRICAL RATINGS:

10 A CONTINUOUS CARRY

AC VOLTS; PILOT DUTY: AC15, A600/B600

| Electrical Rating | Circuitry | Vac | Amps at 0.35 Power Factor Make | Amps at 0.35 Power Factor Break |
|---------------------|--------------|-----|--------------------------------|---------------------------------|
| A* AC15, A600 | SPDT DPDT | 120 | 60 | 6 |
| | | 240 | 30 | 3 |
| | | 480 | 15 | 1.5 |
| | | 600 | 12 | 1.2 |
| B AC15, B600 | Δ | 120 | 30 | 3 |
| | | 240 | 15 | 1.5 |
| | | 480 | 7.5 | 0.75 |
| | | 600 | 6 | 0.60 |

Δ Gravity return (Model LSS..) and extra-low torque (Model LST..)

MICRO SWITCH™ HDLS SERIES ELECTRICAL RATINGS:

DC VOLTS; PILOT DUTY: DC13, R300

| Electrical Rating | Circuitry | Vdc | Make & Break Amps Inductive | Make & Break Amps Resistive |
|-------------------|--------------|-----|-----------------------------|-----------------------------|
| A, B* | SPDT DPDT | 120 | 0.25 | 0.8 |
| | | 240 | 0.15 | 0.4 |

* For switches with an indicator light, use only at voltage stated for indicator light.

MICRO SWITCH™ HDLS limit switches are capable of the following low voltage dc loads

| Circuitry | Vdc | Amps Inductive | Amps Resistive |
|-----------|-----|----------------|----------------|
| SPDT | 24 | 10 | 10 |
| DPDT | 24 | 10 | 10 |



MICRO SWITCH™ Heavy-Duty Limit Switches

MICRO SWITCH™ HDLS SERIES OPERATING HEADS

SIDE ROTARY: Available levers provide greater versatility. Heads may be positioned with shaft on any side. All are momentary action except maintained head (LSN Series).



LSA - Standard: 60° minimum overtravel, 15° maximum pretravel, 5° (single pole) and 7° (double pole) maximum differential travel. Operating temperature range from -12 °C to 121 °C [10 °F to 250 °F].*

LSR - Low operating torque: 60° minimum overtravel, 15° maximum pretravel, 0.19 Nm [1.7 in lb] maximum operating torque. Operating temperature range from -1 °C to 121 °C [250 °F to 250 °F].*

LSN - Maintained contact: Maintained on counterclockwise rotation and reset on clockwise rotation, and vice versa. Operating temperature range from -1 °C to 121 °C [30 °F to 250 °F].

LSP - Low differential: 68° minimum overtravel, 7° maximum pretravel, 3° (single pole) and 4° (double pole) maximum differential travel. Operating temperature range from -12 °C to 121 °C [10 °F to 250 °F].*

LSH - Low torque, low differential travel: 68° minimum overtravel. Features low operating torque and narrow differential travel. Operating temperature range from -1 °C to 121 °C [30 °F to 250 °F].*

LSU - Low pretravel: 5° max. pretravel, 70° min. overtravel, and a second step of 18° max. Operating temperature range from -12 °C to 121 °C [10 °F to 250 °F].*

LSL - Sequence action: 48° minimum overtravel. Delayed action between operation of two poles. Operating temperature range from -12 °C to 121 °C [10 °F to 250 °F].*

LSM - Center neutral: 53° minimum overtravel. One set of contacts operates on the clockwise rotation, and another set on the counterclockwise rotation. Operating temperature range from -1 °C to 121 °C [30 °F to 250 °F].*

LST - Momentary action with extra low torque: 12 in oz of operating and full travel torque with momentary action. Operating temperature range from -12 °C to 121 °C [10 °F to 250 °F].*

LSS - Gravity return: Has no return spring mechanism so weight of the lever must provide the return force. Extremely light operating torque (5 in oz max.) is useful in conveyor applications and can be operated by small or lightweight objects. Operating temperature range from -1 °C to 121 °C [30 °F to 250 °F].*

TOP ROTARY: Available levers provide greater versatility. Heads may be positioned with shaft on any side. All are momentary action except maintained head.



LSB: With 100° minimum overtravel. Various levers that fit side rotary shafts may be used on the top rotary shaft. Switch is ideal when increased overtravel is required. Momentary action. Standard operating temperature range from -1 °C to 121 °C [30 °F to 250 °F].*

TOP PLUNGERS: Available with 4,83 mm [0.19 in] minimum overtravel. Top pin plungers are offered in pin plunger, an adjustable plunger, and a roller plunger. Standard temperature range of -12 °C to 93 °C [10 °F to 200 °F].



LSC - Top pin plunger: A corrosion-resistant steel plunger for in-line actuating motion. Oil-tight seals on plunger and between the operating head and housing keep out coolant, dust, and chips. Momentary action.



LSD - Top roller plunger: A corrosion-resistant steel roller and plunger that is adjustable to 90° angles to accept cam or slide operation from any of two directions. Boot seal on the plunger. Momentary action



LSV - Adjustable top pin plunger: Provides easy application and saves on installation time. The operating points of the switch can be adjusted from 52,8 mm to 59,3 mm [2.085 in to 2.335 in]. Seals are the same as the pin plunger. Momentary action.

* (Fluorocarbon seals are preferred for temperatures above 93 °C [200 °F]).

HDLS Series

MICRO SWITCH™ HDLS SERIES OPERATING HEADS

SIDE PLUNGERS: Available with 4,83 mm [0.19 in] minimum overtravel. Side plungers are offered in plain plunger, an adjustable plain plunger, a roller plunger, and a maintained plunger. Standard temperature range of -12 °C to 93 °C [10 °F to 200 °F].

| | | | |
|---|--|--|---|
|  | <p>LSE - Side pin plunger: For actuating motion inline with the plunger travel. Actuating head may be faced in any of four positions, 90° apart. A boot seal on the plunger and a gasket seal between the head and housing keep out coolant, dust, and chips. Momentary action.</p> |  | <p>LSW - Adjustable side pin plunger: Has the same features of the side plain plunger plus the means to adjust the operating points of the switch from 41 mm to 47,4 mm [1.615 in to 1.865 in]. Momentary action.</p> |
|  | <p>LSF - Side roller plunger: Fits close quarters under cams and slides. The head may be faced in any of four positions, 90° apart. <u>The roller can be turned vertical or horizontal to the switch.</u> Boot seal on plunger. Momentary action.</p> |  | <p>LSG - Maintained contact side pin plunger: Offers a maintained contact on actuation of the switch. A reverse motion of the plunger resets the switch. Sealing is the same as other side plunger actuation heads. Operating temperature range is -1 °C to 93 °C [30 °F to 200 °F].</p> |

WOBBLE LEVER ACTUATING HEADS: Heads come with either a spring wire, Delrin® plastic rod, or steel cat whisker. Any movement of the lever (except pull) will actuate the switch. Standard temperature range of -12 °C to 93 °C [10 °F to 200 °F].

| | | | | |
|---|---|---|--|--|
|  |  |  |  |  |
| <p>LSJ1A-7M - Spring wire: 300 Series SST wire may be formed for special applications.</p> | <p>LSJ1A-7N - Flexible actuator: Designed with a tin-plated cable.</p> | <p>LSK1A-8C - Coil spring: Designed with a 300 Series SST coil spring.</p> | <p>LSJ1A-7A - Plastic rod: Recommended where possible scratching or marring by the actuator is to be avoided.</p> | <p>LSK1A-8A - Cat whisker: 300 Series SST actuator designed for low operating force applications.</p> |

*(Fluorocarbon seals are preferred for temperatures above 93 °C [200 °F]).

MICRO SWITCH™ Heavy-Duty Limit Switches

SPECIAL OPTIONS

HIGH TEMPERATURE/CHEMICAL RESISTANT SWITCHES

Completely fluorocarbon (FC)-sealed switches have a full FC body gasket covering the switch cavity. Rotary types have an extra FC seal on the operating shaft, while plunger versions have FC boot seals. They are for use in many applications where the environment includes fire-resistant synthetic fluids. In addition to most all fluids, the FC-sealed switches may be used with such industrial fluids such as Cellulube, Fyrquell, Houghto-Safe, Pydraul, and other special cutting and hydraulic fluids. The additional FC seals also promote longer operating life for rotary-actuated HDLS switches in applications where the temperatures are normally -12 °C to 121 °C [10 °F to 250 °F]. If pre-wired with cable, then temperature limits are 105 °C [221 °F] dry and 60 °C [140 °F] wet.

To order, insert the additional letters **Y** and **C** in the appropriate places in the standard catalog listing, as shown below:

| | |
|---------------|---------------------------------------|
| LSA1A | standard, side-rotary plug-in switch |
| LSYA1A | completely FC-sealed version of LSA1A |

LOW TEMPERATURE SWITCHES

All forms of HDLS limit switches are also available in low-temperature construction. Design features include fluorosilicone diaphragm, shaft seals, and external booth seal (where applicable). If pre-wired with a cable, low temperature limits are -10 °C [14 °F] flex and -30 °C [-22 °F] non-flex.

To order, insert the additional letters **Y** and **B** in the appropriate places in the standard catalog listing, as shown below:

| | |
|----------------|--------------------------------------|
| LSA1A | standard, side-rotary plug-in switch |
| LSYAB1A | low-temperature version of LSA1A |

CONDUIT OPENINGS

For conduit openings other than 1/2-NPT and 3/4-NPT, substitute the following after LS in the catalog listing:

LS3 PG13,5

LS4 20 mm

| | |
|---------------|-------------------------------------|
| LSA1A | side rotary with 1/2-14 NPT conduit |
| LS4A1A | side rotary with 20 mm conduit |

TEMPERATURE LIMITS

| | Standard HDLS | | | | Low Temperature HDLS (Fluorosilicone Sealed): Y B | | | | High Temperature HDLS (Fluorocarbon Sealed)*: Y C | | |
|---------------------------------------|-------------------|------------------|-------------------|--------------------|--|--------------------|-------------------|--------------------|--|------------------|--------------------|
| | Low Limit | | High Limit | | Low Limit | | High Limit | | Low Limit | | High Limit |
| | -12 °C [10 °F] | -1 °C [30 °F] | 93 °C [200 °F] | 121 °C [250 °F] | -40 °C [-40 °F] | -29 °C [-20 °F] | 93 °C [200 °F] | 121 °C [250 °F] | -12 °C [10 °F] | -1 °C [30 °F] | 121 °C [250 °F] |
| LSA - Side Rotary Momentary | X | | | X | X | | | X | X | | X |
| LSB - Top Rotary | | X | | X | | X | | X | | X | X |
| LSC - Top Plain Plunger | X | | X | | X | | X | | X | | X |
| LSD - Top Roller Plunger | X | | X | | X | | X | | X | | X |
| LSE - Side Plain Plunger | X | | X | | X | | X | | X | | X |
| LSF - Side Roller Plunger | X | | X | | X | | X | | X | | X |
| LSG - Side Plunger, Maintained | | X | X | | | X | X | | | X | X |
| LSH - Side Rotary, Low PT, Low Torque | | X | | X | | X | | X | | X | X |
| LSJ - Wobble Stick | X | | X | | X | | | X | X | | X |
| LSK - Cat Whisker | X | | X | | | X | | X | X | | X |
| LSL - Side Rotary, Sequence | X | | | X | X | | | X | X | | X |
| LSM - Side Rotary, Center Neutral | | X | | X | X | | | X | | X | X |
| LSN - Side Rotary, Maintained | | X | | X | | X | | X | | X | X |
| LSP - Side Rotary, Low Pretravel | X | | | X | X | | | X | X | | X |
| LSR - Side Rotary, Low Torque | | X | | X | | X | | X | | X | X |
| LSU - 5° Low Pretravel | X | | | X | X | | | X | X | | X |
| LSV - Top Adjustable Plunger | X | | X | | X | | X | | X | | X |
| LSW - Side Adjustable Plunger | X | | X | | X | | X | | X | | X |

* For HDLS application wherein the upper temperature limit is normally above 93 °C [200 °F], much longer switch life can be obtained by using completely fluorocarbon-sealed switches rather than standard HDLS.

FACTORY SEALED PRE-WIRED LIMIT SWITCHES

Features

- Pre-wired with 6 ft STOOW-A cable or other 4, 5, or 9-pin connectors (other lengths available)
- Wire entry area completely factory sealed
- (Cable version) NEMA 1, 6, 6P, 12; IP67
- (Connector version) NEMA 1, 6, 6P, 12, 13; IP67

How to order:

To order factory sealed switches, add the modification codes shown below to the standard HDLS listings:

| Circuitry | Cable | 1/2 in connector style |
|-----------|----------|---|
| SPDT | C | A (4-pin mini-style) B (5-pin mini-style) DD (4-pin micro-style) |
| DPDT | M | R (9-pin mini-style) |

Examples:

LSA1A**C** = LSA1A with 6 feet of 5-conductor STOW-A cable

LSJ2B**M**-7N = LSJ2B-7N with 6 feet of 9-conductor STOOW-A cable

LSA1A**B** = LSA1A with a 5-pin mini-style connector

LSA1A**DD** = LSA1A with a 4-pin micro-style connector

NOTE: Connector versions available with 1/2 in conduit only.

WIRING DIAGRAM (STYLE A)



WIRING DIAGRAM (STYLE DD)



Pin 3 not connected

WIRING DIAGRAMS (STYLES B&G)

Connectors = Numbers (mini-style)

Cables = Colors



Single-Pole Circuitry

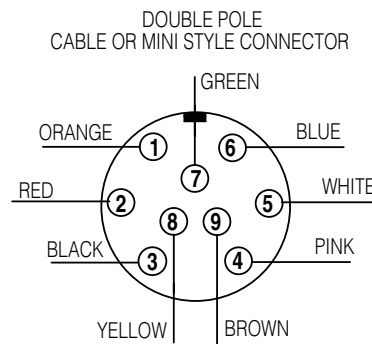


3 = Ground

Electrical Ratings: Connector Versions

| | |
|-------|-------------|
| Mini | 600 VAC, 7A |
| Micro | 300 VAC, 3A |

WIRING DIAGRAMS (STYLES M&R)



Double-Pole Circuitry



7 = Ground

MICRO SWITCH™ Heavy-Duty Limit Switches

SIDE ROTARY • MICRO SWITCH™ HDLS SERIES ORDER GUIDE/RECOMMENDED LISTINGS



| | Standard (LSA) | | Low Differential (LSP) | | 5° Pretravel (LSU) | |
|--|---|----------|---|----------|------------------------|----------|
| Description | Standard | | Low pretravel & low differential travel | | Low pretravel | |
| | SPDT | DPDT | SPDT | DPDT | SPDT | DPDT |
| | | | | | | |
| Contact closed ■ Contact open □ | | | | | | |
| Pretravel | 15° max. | 15° max. | 9° max. | 9° max. | 5° max. | 5° max. |
| Different. travel | 5° max. | 7° max. | 3° max. | 4° max. | 3° max. | 4° max. |
| Overtravel | 60° min. | 60° min. | 66° min. | 66° min. | 70° min. | 70° min. |
| Oper. torque | 0,45 Nm [4 in-lb] max. | | 0,45 Nm [4 in-lb] max. | | 0,45 Nm [4 in-lb] max. | |
| Action | CW & CCW (Momentary) | | | | | |
| Op. temp range ³ | -12 °C to 121 °C [10 °F to 250 °F] (for low temp, high temp, or preleaded versions, see pages 11-12) | | | | | |

| Circuitry | Contacts | Body Style ² | Conduit (NPT) | Options | | | |
|-----------------|-------------------|-------------------------|---------------|---|--------------|--------------|--------------|
| SPDT | Silver | Plug-in | 0.5 in | | LSA1A | LSP1A | LSU1A |
| | Gold ⁴ | Plug-in | 0.5 in | | LSA1E | LSP1E | LSU1E |
| | Silver | Plug-in | 0.5 in | 120 V Ind. lite ¹ | LSA5A | LSP5A | LSU5A |
| | Silver | Plug-in | 0.5 in | 240 V Ind. lite ¹ | LSA8A | LSP8A | LSU8A |
| | Silver | Plug-in | 0.5 in | 24 V LED 1.5 mA max. auto polarity ¹ | LSA9A | LSP9A | LSU9A |
| | Silver | Non-plug-in | 0.5 in | | LSA3K | LSP3K | LSU3K |
| DPDT | Silver | Plug-in | 0.75 in | | LSA2B | LSP2B | LSU2B |
| | Gold ⁴ | Plug-in | 0.75 in | | LSA2S | - | - |
| | Silver | Plug-in | 0.5 in | | LSA6B | LSP6B | LSU6B |
| | Gold ⁴ | Plug-in | 0.5 in | | LSA6S | - | - |
| | Silver | Plug-in | 0.75 in | 120 V Ind. lite ¹ | LSA2R | LSP2R | LSU2R |
| | Silver | Non-plug-in | 0.75 in | | LSA4L | LSP4L | LSU4L |
| | Silver | Non-plug-in | 0.5 in | | LSA7L | LSP7L | LSU7L |

¹ Use at voltage indicated for light. Wired to NO circuit. Upper temperature limit for lighted units is 93 °C [200 °F]

² Plug-in listings include base receptacle

³ Completely fluorocarbon sealed switches are preferred for use in temperatures above 93 °C [200 °F]

⁴ Gold-plated contacts

NOTE: Same polarity each pole.

To order a fluorocarbon sealed switch, insert the letters **Y** and **C** into the catalog listing as follows. The LSA1A limit switch is changed to a LSY**AC**1A limit switch.

To order a low temperature, fluorosilicone sealed switch, insert the letters **Y** and **B** into the catalog listing as follows. The LSA1A limit switch is changed to a LSY**AB**1A limit switch.

SIDE ROTARY • MICRO SWITCH™ HDLS SERIES ORDER GUIDE/RECOMMENDED LISTINGS



| Description | Low Torque (LSR) | | Low Diff., Low Torque (LSH) | |
|-----------------------------------|--|----------------------------|------------------------------|----------------------------|
| | Low operating torque | | Low pretravel and low torque | |
| | SPDT | DPDT | SPDT | DPDT |
| | Snap Action 1NO/1NC | Snap Action 2NO/2NC | Snap Action 1NO/1NC | Snap Action 2NO/2NC |
| | Contact closed ■ Contact open □ | | | |
| Pretravel | 15° max. | 15° max. | 9° max. | 9° max. |
| Different. travel | 5° max. | 7° max. | 3° max. | 4° max. |
| Overtravel | 60° min. | 60° min. | 66° min. | 66° min. |
| Oper. torque | 0,19 Nm [1.7 in-lb] max. | | 0,19 Nm [1.7 in-lb] max. | |
| Action | CW & CCW (Momentary) | | | |
| Op. temp range³ | -1 °C to 121 °C [30 °F to 250°F] (for low temp, high temp, or preloaded versions, see pages 11-12) | | | |

| Circuitry | Contacts | Body Style ² | Conduit (NPT) | Options | | |
|-----------------|-------------------|-------------------------|---------------|---|--------------|--------------|
| SPDT | Silver | Plug-in | 0.5 in | | LSR1A | LSH1A |
| | Gold ⁴ | Plug-in | 0.5 in | | LSR1E | LSH1E |
| | Silver | Plug-in | 0.5 in | 120 V Ind. lite ¹ | LSR5A | LSH5A |
| | Silver | Plug-in | 0.5 in | 240 V Ind. lite ¹ | LSR8A | LSH8A |
| | Silver | Plug-in | 0.5 in | 24 V LED 1.5 mA max. auto polarity ¹ | LSR9A | LSH9S |
| | Silver | Non-plug-in | 0.5 in | | LSR3K | LSH3K |
| DPDT | Silver | Plug-in | 0.75 in | | LSR3B | LSH2B |
| | Silver | Plug-in | 0.5 in | | LSR6B | LSH6B |
| | Silver | Plug-in | 0.75 in | 120 V Ind. lite ¹ | LSR2R | LSH2R |
| | Silver | Non-plug-in | 0.75 in | | LSR4L | LSH4L |
| | Silver | Non-plug-in | 0.5 in | | LSR7L | LSH7L |

¹ Use at voltage indicated for light. Wired to NO circuit. Upper temperature limit for lighted units is 93°C [200 °F]

² Plug-in listings include base receptacle

³ Completely fluorocarbon sealed switches are preferred for use in temperatures above 93 °C [200 °F]

⁴ Gold-plated contacts

NOTE: Same polarity each pole.

To order a fluorocarbon sealed switch, insert the letters **Y** and **C** into the catalog listing as follows. The LSA1A limit switch is changed to a LSY**AC**1A limit switch.

To order a low temperature, fluorosilicone sealed switch, insert the letters **Y** and **B** into the catalog listing as follows. The LSA1A limit switch is changed to a LSY**AB**1A limit switch.

MICRO SWITCH™ Heavy-Duty Limit Switches

SIDE ROTARY • MICRO SWITCH™ HDLS SERIES ORDER GUIDE/RECOMMENDED LISTINGS



| | Maint. Contact (LSQ) | Maint. Contact (LSN) | Center Neutral (LSM) | Sequence Action (LSL) |
|-----------------------------------|--|---|--|--|
| Description | Maint. 360° Alt. Action | Maintained, 2-pos ^{1,2} . Std. | Center Neutral (Pole 1 operates CCW; Pole 2 operates CW) | Sequential (Pole 1 operates before Pole 2, either CW, CCW, or both) |
| | SPDT | SPDT DPDT | DPDT | DPDT |
| | | | | |
| Pretravel | 65° max. | 65° max. | 18° max. | Pole 1: 15° Pole 2: add'l 10° |
| Different. travel | 40° max. | 40° max. | 10° max. | each pole: 5° |
| Overtravel | 20° min. | 20° min. | 57° min. | 48° min. |
| Oper. torque | 0,45 Nm [4 in-lb] | | 0,45 Nm [4 in-lb] | 0,45 Nm [4 in-lb] |
| Action | Maintained | | CW & CCW (Momentary) | |
| Op. temp range⁶ | -1 °C to 121 °C [30 °F to 250°F] (for low temp, high temp, or preloaded versions, see page 11-12) | | | -12 °C to 121 °C [10 °F to 250°F] (for low temp, high temp, or preloaded versions, see page 11-12) |

| Circuitry | Contacts | Body Style ⁵ | Conduit (NPT) | Options | | | | |
|-----------|-------------------|-------------------------|---------------|------------------------------|---------------|--------------|--------------|--------------|
| | Silver | Plug-in | 0.5 in | | LSQ300 | LSN1A | | |
| | Gold ³ | Plug-in | 0.5 in | | - | LSN1E | | |
| | Silver | Plug-in | 0.5 in | 120 V Ind. lite ⁴ | - | LSN5A | | |
| | Silver | Plug-in | 0.5 in | 240 V Ind. lite ⁴ | - | LSN8A | | |
| | Silver | Non-plug-in | 0.5 in | | - | LSN3K | | |
| | Silver | Plug-in | 0.75 in | | - | LSN2B | LSM2D | LSL2C |
| | Silver | Plug-in | 0.5 in | | - | LSN6B | LSM6D | LSL6C |
| | Gold ³ | Plug-in | 0.5 in | | - | - | LSM6U | - |
| | Silver | Non-plug-in | 0.75 in | | - | LSN4L | LSM4N | LSL4M |
| | Silver | Non-plug-in | 0.5 in | | - | LSN7L | LSM7N | LSL7M |

¹ Mechanical trip before electrical trip.

² Total travel is approximately 80° max. Maintained contact switch normally used with LSZ53 yoke actuator.

³ Gold-plated contacts

⁴ Use at voltage indicated for light. Wired to NO circuit. Upper temperature limit for lighted units is 93°C [200 °F].

⁵ Plug-in listings include base receptacle

⁶ Completely fluorocarbon-sealed switches are preferred for temperatures above 93 °C [200 °F].

NOTE: Same polarity each pole.

To order a fluorocarbon sealed switch, insert the letters **Y** and **C** into the catalog listing as follows. The LSA1A limit switch is changed to a LSYAC1A limit switch.

To order a low temperature, fluorosilicone sealed switch, insert the letters **Y** and **B** into the catalog listing as follows. The LSA1A limit switch is changed to a LSYAB1A limit switch.

HDLS Series

Figure 2. MICRO SWITCH™ HDLS side rotary (single pole) dimensions

SPDT Plug-in (mm[in])

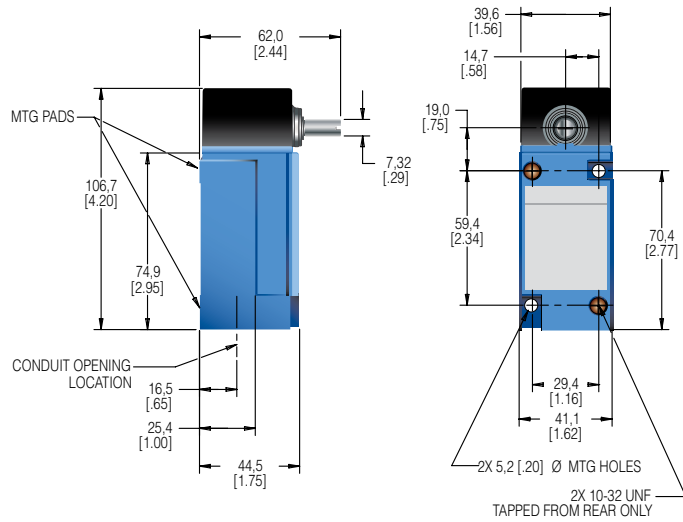
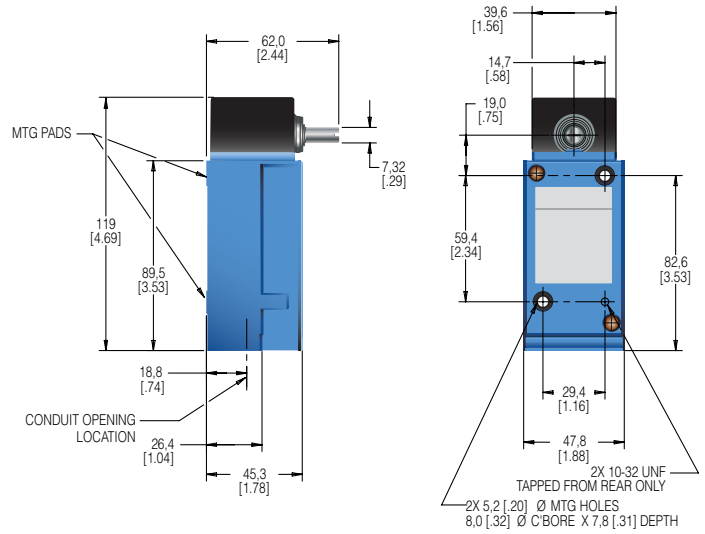
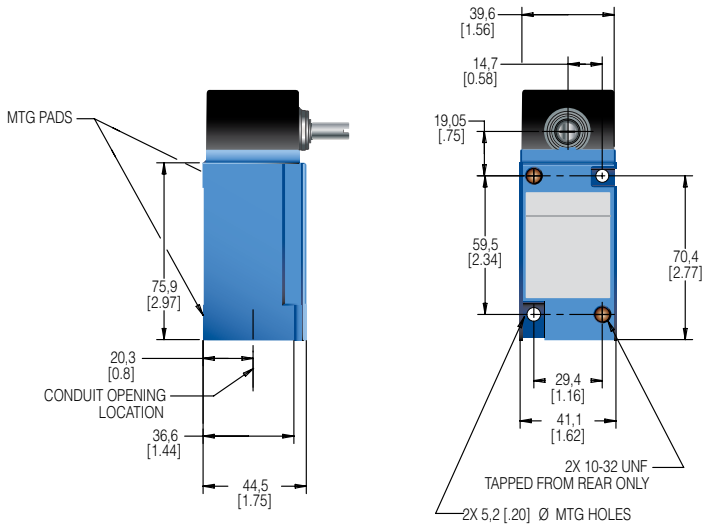


Figure 3. MICRO SWITCH™ HDLS side rotary (double pole) dimensions

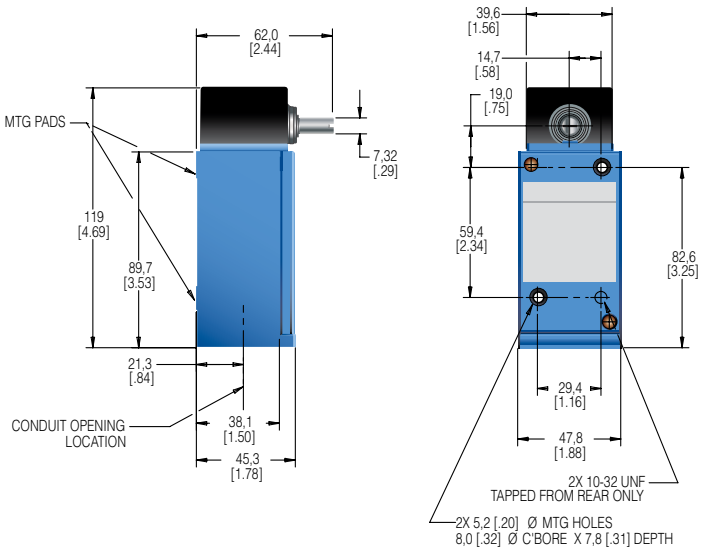
DPDT Plug-in (mm[in])



SPDT Non-plug-in (mm[in])



DPDT Non-plug-in (mm[in])



MICRO SWITCH™ Heavy-Duty Limit Switches

TOP ROTARY • MICRO SWITCH™ HDLS SERIES ORDER GUIDE/RECOMMENDED LISTINGS



| | | Top Rotary (LSB) | |
|-----------------------------|--|----------------------------|--|
| Description | Increased overtravel (100° min.). Uses same levers as side rotary | | |
| | SPDT | DPDT | |
| | Snap Action 1NO/1NC | Snap Action 2NO/2NC | |
| | Contact closed ■ Contact open □ | | |
| Pretravel | 25° max. | 25° max. | |
| Different. travel | 10° max. | 12° max. | |
| Overtravel | 110° min. | 110° min. | |
| Oper. torque | 0,28 Nm [2.5 in lb] max. | | |
| Op. temp range ³ | -12 °C to 121 °C [10 °F to 250 °F] (for low temp, high temp, or preloaded versions, see pages 11-12) | | |

| Circuitry | Contacts | Body Style ² | Conduit (NPT) | Options | | |
|-----------|-------------------|-------------------------|---------------|---|--------------|--------------|
| | Silver | Plug-in | 0.5 in | | LSB1A | - |
| | Gold ⁴ | Plug-in | 0.5 in | | LSB1E | - |
| | Silver | Plug-in | 0.5 in | 120 V Ind. lite ¹ | LSB5A | - |
| | Silver | Plug-in | 0.5 in | 240 V Ind. lite ¹ | LSB8A | - |
| | Silver | Plug-in | 0.5 in | 24 V LED 1.5 mA max. auto polarity ¹ | LSB9A | - |
| | Silver | Non-plug-in | 0.5 in | | LSB3K | - |
| | Silver | Plug-in | 0.75 in | | - | LSB2B |
| | Silver | Plug-in | 0.5 in | | - | LSB6B |
| | Silver | Plug-in | 0.75 in | 120 V Ind. lite ¹ | - | LSB2R |
| | Silver | Non-plug-in | 0.75 in | | - | LSB4L |
| | Silver | Non-plug-in | 0.5 in | | - | LSB7L |
| | Silver | Non-plug-in | 0.5 in | | - | |

¹ Use at voltage indicated for light. Wired to NO circuit. Upper temperature limit for lighted units is 93 °C [200 °F]

² Plug-in listings include base receptacle

³ Completely fluorocarbon sealed switches are preferred for use in temperatures above 93 °C [200 °F]

⁴ Gold-plated contacts

NOTE: Same polarity each pole.

To order a fluorocarbon sealed switch, insert the letters **Y** and **C** into the catalog listing as follows. The LSA1A limit switch is changed to a LSY**AC**1A limit switch.

To order a low temperature, fluorosilicone sealed switch, insert the letters **Y** and **B** into the catalog listing as follows. The LSA1A limit switch is changed to a LSY**AB**1A limit switch.

HDLS Series

Figure 4. MICRO SWITCH™ HDLS top rotary (single pole) dimensions

SPDT Plug-in (mm[in])

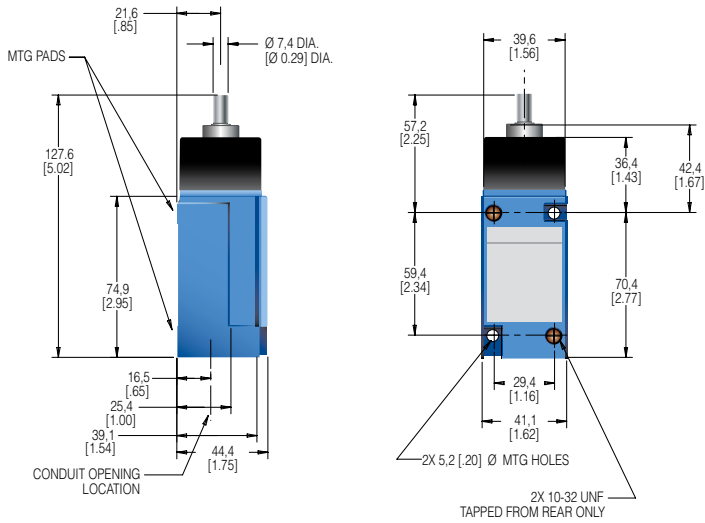
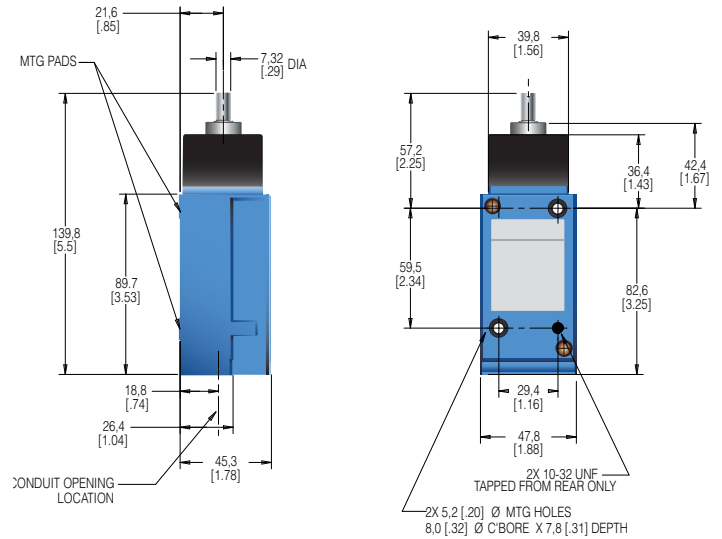
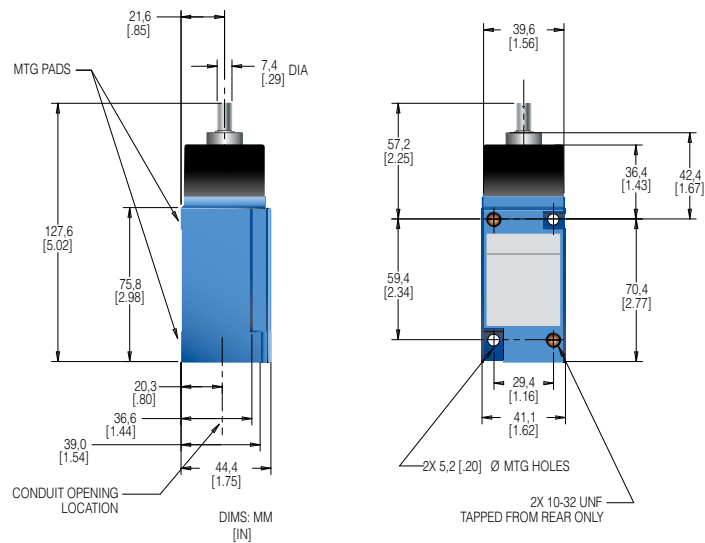


Figure 5. MICRO SWITCH™ HDLS top rotary (double pole) dimensions

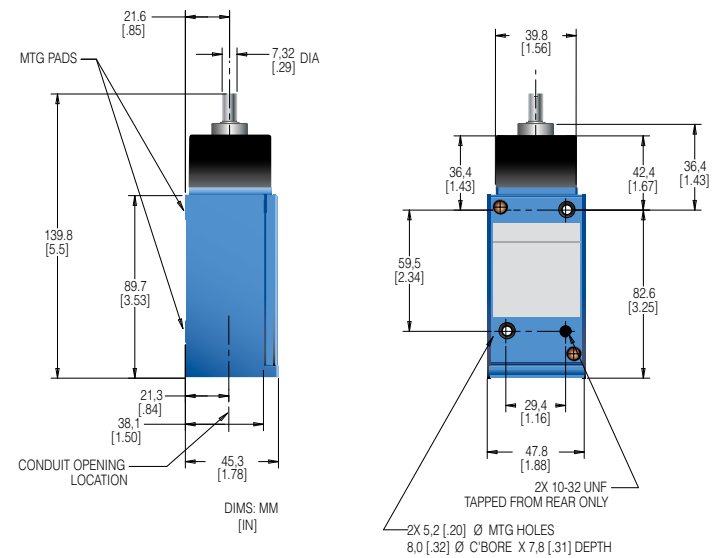
DPDT Plug-in (mm[in])



SPDT Non-plug-in (mm[in])



















DPDT Non-plug-in (mm[in])



MICRO SWITCH™ Heavy-Duty Limit Switches

Table 2. Common levers for use with MICRO SWITCH™ HDLS Rotary Switches





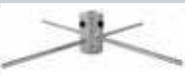
Levers for use with side or top rotary actuated switches are available in a wide choice of sizes and materials. The most common listings are shown below. Rollers may be on either side of the lever to best match the external actuating mechanism.








| | | | | | | | |
|--|---|---|---|---|--|--|--|
|  |  |  | |  |  | | |
| LSZ51A&C fixed rotary lever, nylon roller, front/ back | LSZ51B&D fixed rotary lever, steel roller, front/ back | LSZ59A,LSZ59B, LSZ59C,LSZ59D short fixed lever, front/back | | | LSZ69CA spoke lever - 152 mm [6 in] | | |
|  |  |  | | | | | |
| LSZ55A,LSZ55B, LSZ55C,LSZ55D offset lever, front/back | LSZ60 one-way roller lever | LSZ53A, LSZ53B, LSZ53C, LSZ53D yoke lever, nylon and steel rollers, front/back placement | | LSZ54R spring wire 305 mm [12 in] | | | |
|  |  |  |  |  |  |  |  |
| LSZ52A, LSZ52B, LSZ52C, LSZ52D adj. lever, nylon/ steel, front/back | LSZ52J adjustable lever, nylon roller Ø 25,4 mm [Ø 1 in] | LSZ52K adjustable lever, nylon roller Ø 38,1 mm [Ø 1.5 in] | LSZ54M aluminum rod Ø 140 mm [Ø 5.5 in] | LSZ61 loop 152 mm [6 in] | LSZ67AA* Plastic conveyor roller | LSZ68 rod w/ spring 305 mm [12 in] | LSZ54N stainless steel rod 330 mm [13 in] |

* May require orientation of switch and lever to enable gravity to help restore free position of switch.

HDLS Series

Table 3. HDLS SERIES ACTUATOR CODE TABLE (see previous page)

| Catalog Listing | Material | Rod/Roller Dia. mm [in] | Rod/Roller Width mm [in] | Roller Mounting | |
|---|--------------|--|--------------------------|-----------------|-------------|
| Fixed 38,1 mm [1.5 in] radius | | | | | |
|  | – | Rollerless | n/a | n/a | |
| LSZ51A | Nylon | 19 [0.75] | 6,35 [0.25] | Front | |
| LSZ51B | Steel | 19 [0.75] | 6,35 [0.25] | Front | |
| LSZ51C | Nylon | 19 [0.75] | 6,35 [0.25] | Back | |
| LSZ51D | Steel | 19 [0.75] | 6,35 [0.25] | Back | |
| LSZ51F | Nylon | 25,4 [1.0] | 12,7 [0.50] | Front | |
| LSZ51G | Nylon | 38,1 [1.5] | 6,35 [0.25] | Front | |
| LSZ51J | Nylon | 25,4 [1.0] | 12,7 [0.50] | Back | |
| LSZ51L | Ball bearing | 19 [0.75] | 6,35 [0.25] | Back | |
| LSZ51M | Nylon | 19 [0.75] | 31,7 [1.25] | Back | |
| LSZ51N | Steel | 19 [0.75] | 31,7 [1.25] | Front | |
| LSZ51P | Nylon | 19 [0.75] | 12,7 [0.50] | Front | |
| Adjustable 38,1 mm to 89,0 mm [1.5 in to 3.5 in] radius | | | | | |
|  | – | Rollerless | n/a | n/a | |
| LSZ52A | Nylon | 19 [0.75] | 6,35 [0.25] | Back | |
| LSZ52B | Steel | 19 [0.75] | 6,35 [0.25] | Back | |
| LSZ52C | Nylon | 19 [0.75] | 6,35 [0.25] | Front | |
| LSZ52D | Steel | 19 [0.75] | 6,35 [0.25] | Front | |
| LSZ52E | Nylon | 19 [0.75] | 33,0 [1.30] | Front | |
| LSZ52J | Nylon | 25,4 [1.0] | 12,7 [0.50] | Front | |
| LSZ52K | Nylon | 38,1 [1.5] | 6,35 [0.25] | Front | |
| LSZ52L | Ball bearing | 19 [0.75] | 6,35 [0.25] | Front | |
| LSZ52M | Nylon | 50,8 [2.0] | 6,35 [0.25] | Front | |
| LSZ52N | Nylon | 19 [0.75] | 12,7 [0.50] | Front | |
| Yoke – 38,1 mm [1.5 in] radius | | | | | |
|  | LSZ53A | Nylon | 19 [0.75] | 6,35 [0.25] | Front/Back |
| | LSZ53B | Steel | 19 [0.75] | 6,35 [0.25] | Front/Back |
| | LSZ53D | Steel | 19 [0.75] | 6,35 [0.25] | Front/Front |
| | LSZ53E | Nylon | 19 [0.75] | 6,35 [0.25] | Back/Front |
| | LSZ53M | Nylon | 19 [0.75] | 31,7 [1.25] | Back/Front |
| | LSZ53P | Steel | 19 [0.75] | 6,35 [0.25] | Back/Back |
| | LSZ53S | Nylon | 19 [0.75] | 6,35 [0.25] | Back/Back |
| Rod | | | | | |
|  | – | Hub only | n/a | n/a | |
| | LSZ54M | Alum, 140 mm [5.5 in] | Ø 3.2 [Ø 0.125] | n/a | n/a |
| | LSZ54N | Stainless, 330 mm [13 in] | Ø 3.2 [Ø 0.125] | n/a | n/a |
| | LSZ54R | SST spring wire, 305 mm [12 in] | Ø 1.9 [Ø 0.075] | n/a | n/a |
| | LSZ54V | Flex cable (tin plated steel), 122 mm [4.8 in] | Ø 4.8 [Ø 0.19] | n/a | n/a |
| | LSZ54P | Plastic rod, 305 mm [12 in] | Ø 6,85 [Ø 0.27] | n/a | n/a |
| | LSZ54W | Plastic rod, 183 mm [7.2 in] | Ø 6,85 [Ø 0.27] | n/a | n/a |
| | LSZ59T | 330 [13] stainless steel | Ø 4,8 [Ø 0.19] | n/a | n/a |
| Spoke | | | | | |
|  | LSZ69CA | 152 mm [6.0 in] Stainless | 3,2 [0.125] | n/a | n/a |

| Catalog Listing | Material | Rod/Roller Dia. mm [in] | Rod/Roller Width mm [in] | Roller Mounting | |
|--|---------------------|-------------------------|-------------------------------|-----------------|-------|
| Fixed 38,1 mm [1.5 in] radius | | | | | |
|  | – | Rollerless | n/a | n/a | |
| LSZ55A | Nylon | 19 [0.75] | 6,35 [0.25] | Back | |
| LSZ55B | Steel | 19 [0.75] | 6,35 [0.25] | Back | |
| LSZ55C | Nylon | 19 [0.75] | 6,35 [0.25] | Front | |
| LSZ55D | Steel | 19 [0.75] | 6,35 [0.25] | Front | |
| LSZ55E | Nylon | 19 [0.75] | 12,7 [0.50] | Front | |
| LSZ55K | Nylon | 38,1 [1.5] | 6,35 [0.25] | Front | |
| Short fixed - 33 mm [1.3 in] radius | | | | | |
|  | LSZ59A | Nylon | 19 [0.75] | 6,35 [0.25] | Front |
| | LSZ59B | Steel | 19 [0.75] | 6,35 [0.25] | Front |
| | LSZ59C | Nylon | 19 [0.75] | 6,35 [0.25] | Back |
| | LSZ59D | Steel | 19 [0.75] | 6,35 [0.25] | Back |
| 38,1 mm [1.5 in] radius one-way roller lever | | | | | |
|  | LSZ60A | Nylon | 19 [0.75] | 6,35 [0.25] | Front |
| | LSZ60B | Steel | 19 [0.75] | 6,35 [0.25] | Front |
| Flexible loop | | | | | |
|  | LSZ61 | Ø 4,8 [Ø 0.19] Nylatron | 152 mm [6 in] flexible loop | | |
| | LSZ618 | Ø 4,8 [Ø 0.19] Nylatron | 241 mm [9.5 in] flexible loop | | |
| | LSZ54 | Hub only | n/a | n/a | |
| Spring rod | | | | | |
|  | LSZ68 | Delrin rod, 305 [12] | Ø 6,35 [Ø 0.25] | n/a | n/a |
| | LSZ617 | Delrin rod, 406 [16] | Ø 6,35 [Ø 0.25] | n/a | n/a |
| | LSZ686 | Delrin rod, 152 [6] | Ø 6,35 [Ø 0.25] | n/a | n/a |
| Rubber roller levers | | | | | |
|  | LSZ51Y | Rubber | 50 [2.0] | 12,7 [0.50] | front |
| | LSZ55Y | Rubber | 50 [2.0] | 12,7 [0.50] | front |
| | LSZ52Y | Rubber | 50 [2.0] | 12,7 [0.50] | front |
| Plastic roller levers | | | | | |
|  | LSZ67AA* (conveyor) | Plastic | 38,1 [1.5] | 96,5 [3.8] | n/a |

* may require orientation of switch and lever to enable gravity to help restore free position of switch.

MICRO SWITCH™ Heavy-Duty Limit Switches

MICRO SWITCH™ HDLS SIDE ROTARY LEVERS' CAM TRACKING

Levers for side and top rotary switches are normally ordered as separate catalog listings. They also may be ordered by including a suffix to the switch catalog listing (see nomenclature tree in this document) and adding the lever price.

Figure 6. LSZ51 type levers cam tracking

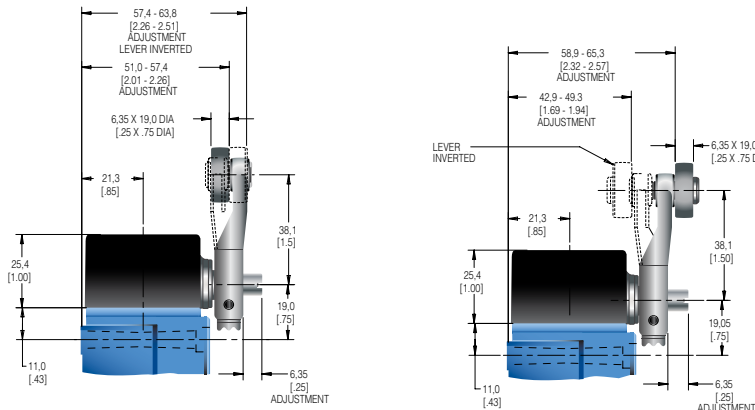


Figure 7. LSZ52 type levers cam tracking

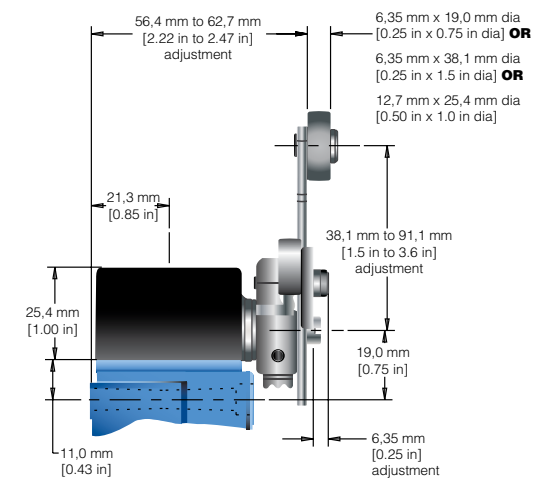


Figure 8. LSZ54 type levers cam tracking

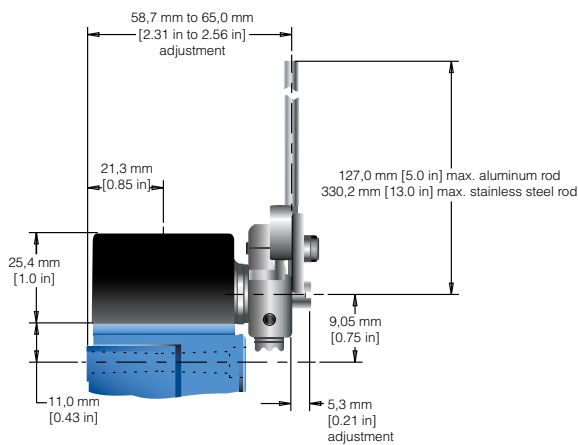
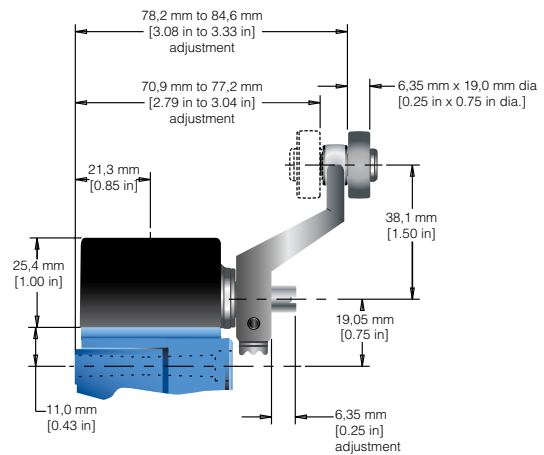


Figure 9. LSZ55 type levers cam tracking



HDLS Series

TOP PLUNGERS • MICRO SWITCH™ HDLS SERIES ORDER GUIDE/RECOMMENDED LISTINGS

All top plungers are momentary action.



| Description | Plain (LSC) | | Roller (LSD) | | Adjustable (LSV) | |
|-----------------------------------|--|--|--|--|--|--|
| | Top plain plunger for in-line operating motion | | | | | |
| | SPDT | DPDT | SPDT | DPDT | SPDT | DPDT |
| | Snap Action 1NO/1NC 3 1 2 4 5 6 7 8 | Snap Action 2NO/2NC 3 1 2 4 5 6 7 8 | Snap Action 1NO/1NC 3 1 2 4 5 6 7 8 | Snap Action 2NO/2NC 3 1 2 4 5 6 7 8 | Snap Action 1NO/1NC 3 1 2 4 5 6 7 8 | Snap Action 2NO/2NC 3 1 2 4 5 6 7 8 |
| | 1.78 mm [0.07 in] 6.6 mm [0.26 in] | 1.4 mm [0.055 in] 6.6 mm [0.26 in] | 1.78 mm [0.07 in] 6.6 mm [0.26 in] | 1.4 mm [0.055 in] 6.6 mm [0.26 in] | 1.78 mm [0.07 in] 6.6 mm [0.26 in] | 1.4 mm [0.055 in] 6.6 mm [0.26 in] |
| | <p>Contact closed ■ Contact open □</p> | | | | | |
| Pretravel | 1,78 mm [0.07 in] | | | | | |
| Different. travel | 0,38 mm [0.015 in] | 0,51 mm [0.02 in] | 0,38 mm [0.015 in] | 0,51 mm [0.02 in] | 0,38 mm [0.015 in] | 0,51 mm [0.02 in] |
| Overtravel | 4,83 mm [0.19 in] | | | | | |
| Operating point (nom.) | 45,8 mm [1.805 in] | | 55,9 mm [2.20 in] | | 53 mm to 59 mm [2.08 in to 2.34 in] | |
| Operating force | 17,8 N [4 lb] max. | | | | | |
| Op. temp range³ | -12 °C to 93 °C [10 °F to 200 °F] (for low temp, high temp, or preloaded versions, see page 11-12) | | | | | |

| Circuitry | Contacts | Body Style ² | Conduit (NPT) | Options | | | |
|--------------------------|-------------------|-------------------------|---------------|------------------------------|--------------|--------------|--------------|
| SPDT Double Break | Silver | Plug-in | 0.5 in | | LSC1A | LSD1A | LSV1A |
| | Gold ⁴ | Plug-in | 0.5 in | | LSC1E | LSD1E | LSV1E |
| | Silver | Plug-in | 0.5 in | 120 V Ind. lite ¹ | LSC5A | LSD5A | LSV5A |
| | Silver | Plug-in | 0.5 in | 240 V Ind. lite ¹ | LSC8A | LSD8A | LSV8A |
| DPDT Double Break | Silver | Plug-in | 0.75 in | | LSC2B | LSD2B | LSV2B |
| | Silver | Plug-in | 0.5 in | | LSC2R | LSD2R | LSV2R |
| | Silver | Plug-in | 0.75 in | 120 V Ind. lite ¹ | LSC6B | LSD6B | LSV6B |
| | Silver | Non-plug-in | 0.75 in | | LSC4L | LSD4L | LSV4L |
| | Silver | Non-plug-in | 0.5 in | | LSC7L | LSD7L | LSV7L |

¹ Use at voltage indicated for light. Wired to NO circuit. Upper temperature limit for lighted units is 93 °C [200 °F]

² Plug-in listings include base receptacle

³ Completely fluorocarbon sealed switches are preferred for use in temperatures above 93 °C [200 °F]

⁴ Gold-plated contacts

NOTE: Same polarity each pole.

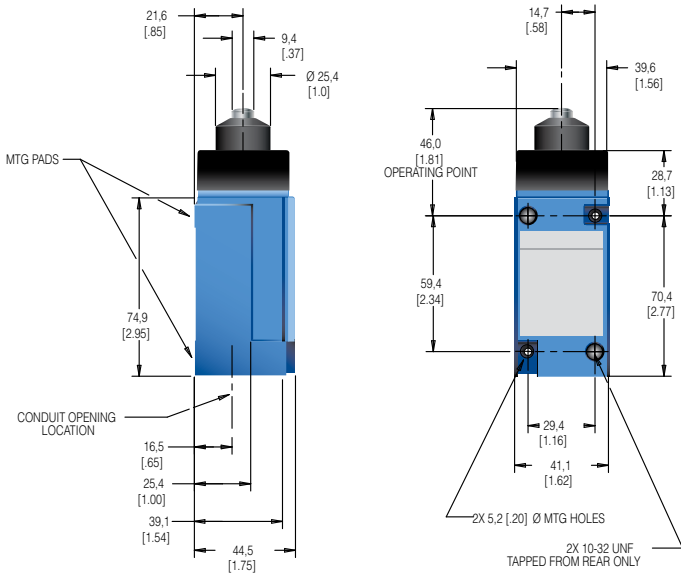
To order a fluorocarbon sealed switch, insert the letters **Y** and **C** into the catalog listing as follows. The LSA1A limit switch is changed to a LSY**AC**1A limit switch.

To order a low temperature, fluorosilicone sealed switch, insert the letters **Y** and **B** into the catalog listing as follows. The LSA1A limit switch is changed to a LSY**AB**1A limit switch.

MICRO SWITCH™ Heavy-Duty Limit Switches

Figure 10. MICRO SWITCH™ HDLS LSC Series (single pole plunger dimensions)

SPDT Plug-in (mm[in])



SPDT Non-plug-in (mm[in])

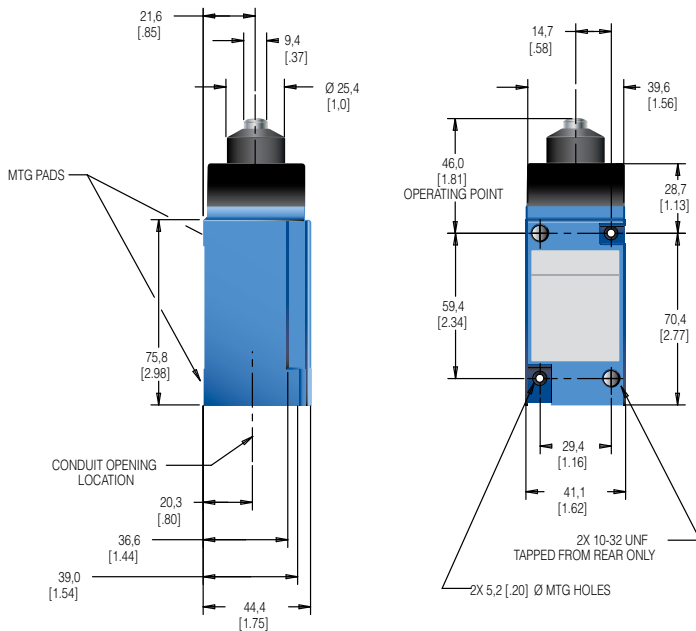
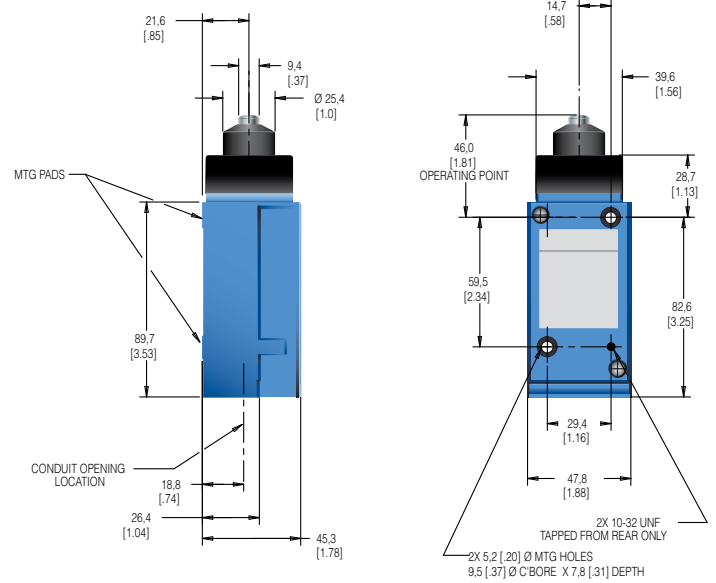
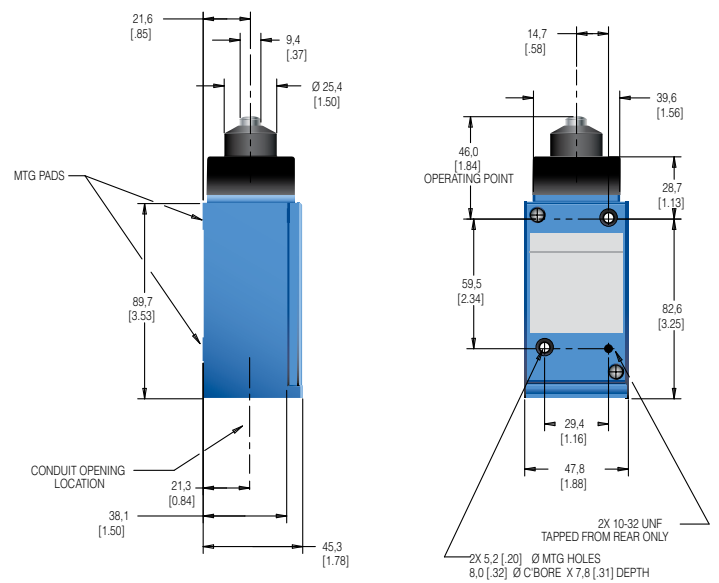


Figure 11. MICRO SWITCH™ HDLS LSC Series (double pole plunger dimensions)

DPDT Plug-in (mm[in])



DPDT Non-plug-in (mm[in])



HDLS Series

Figure 12. MICRO SWITCH™ HDLS LSD Series (single pole) top roller plunger dimensions

SPDT Plug-in (mm[in])

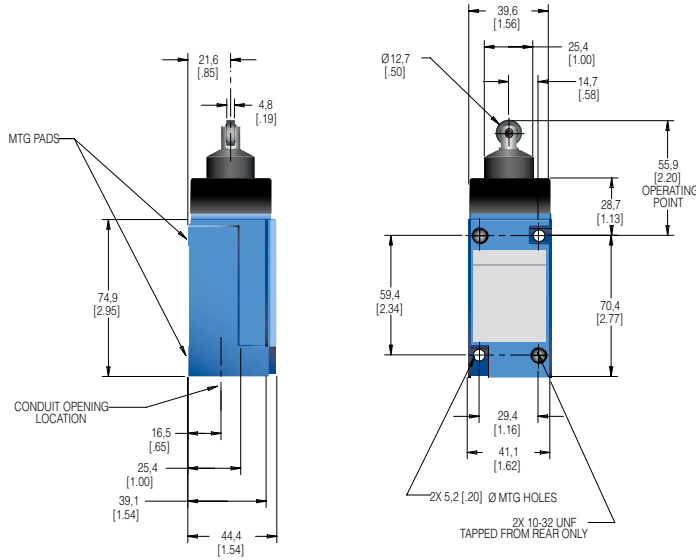
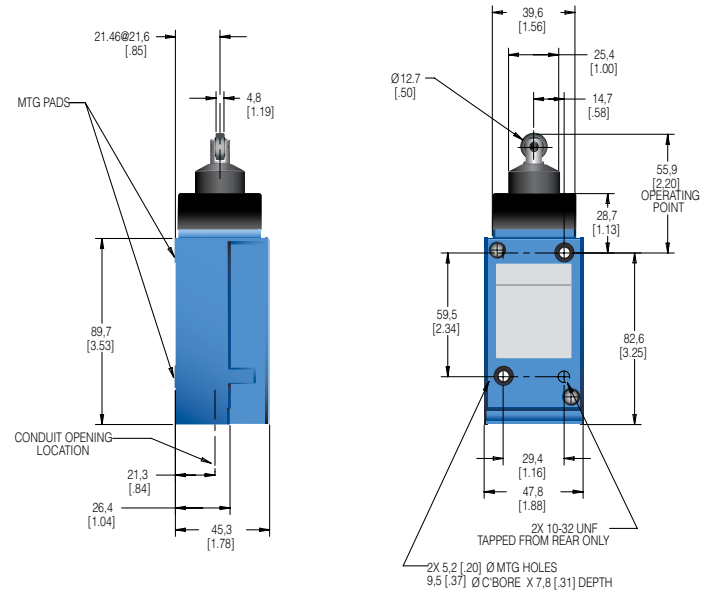
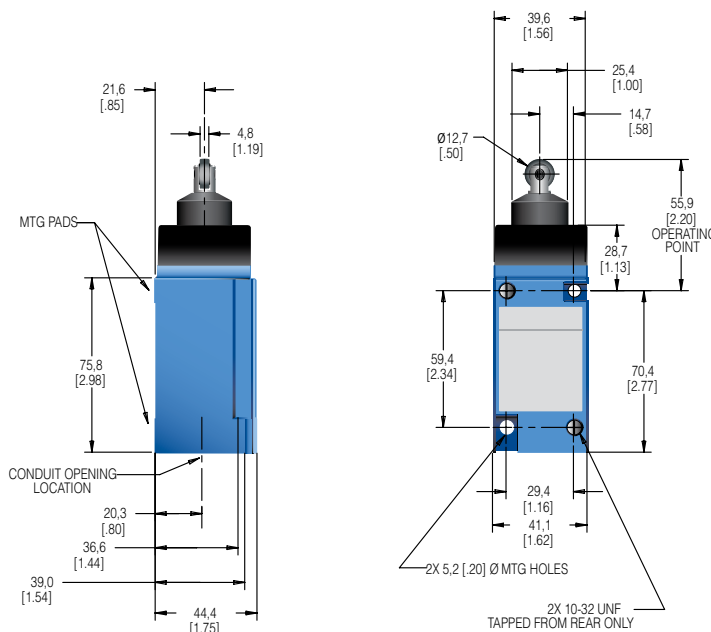


Figure 13. MICRO SWITCH™ HDLS LSD Series (double pole) top roller plunger dimensions

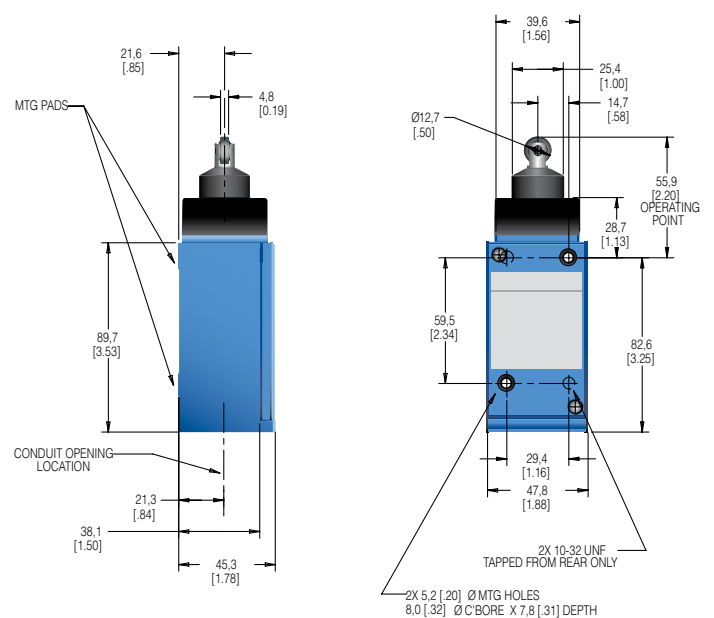
DPDT Plug-in (mm[in])



SPDT Non-plug-in (mm[in])



DPDT Non-plug-in (mm[in])



MICRO SWITCH™ Heavy-Duty Limit Switches

Figure 14. MICRO SWITCH™ HDLS LSV Series top adjustable plunger (single pole) dimensions

SPDT Plug-in (mm[in])

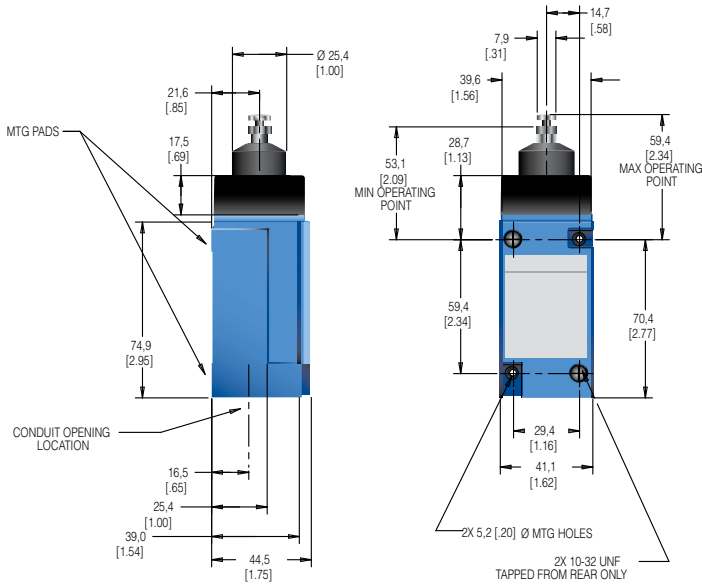
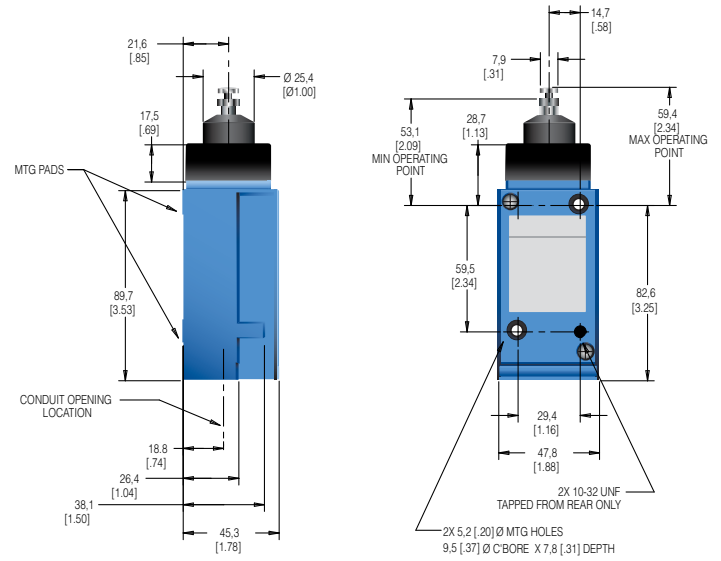
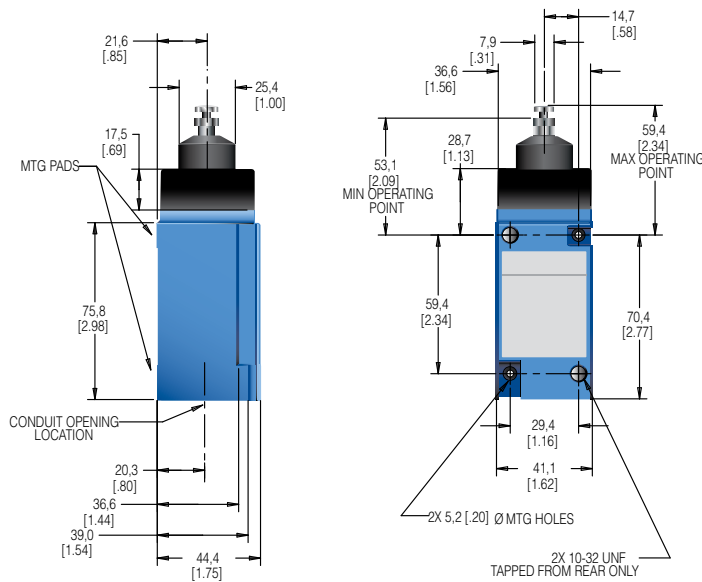


Figure 15. MICRO SWITCH™ HDLS LSV Series top adjustable plunger (double pole) dimensions

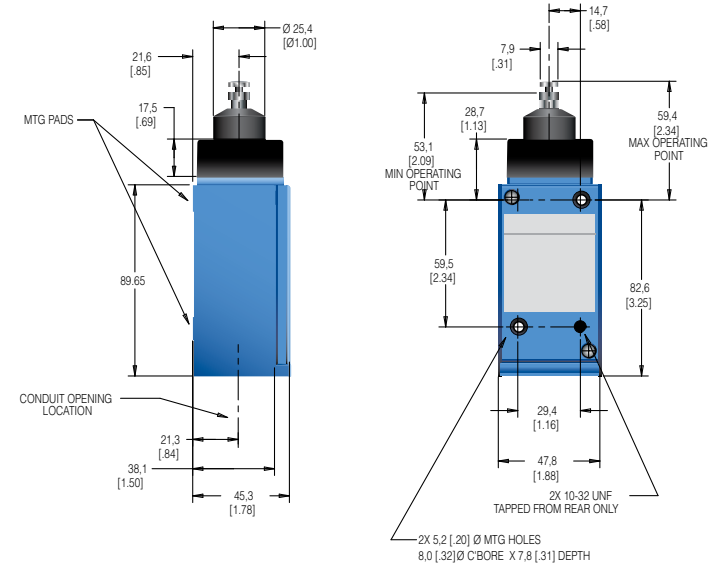
DPDT Plug-in (mm[in])



SPDT Non-plug-in (mm[in])



DPDT Non-plug-in (mm[in])



DIMS: MM
[IN]

HDLS Series

SIDE PLUNGERS • MICRO SWITCH™ HDLS SERIES ORDER GUIDE/RECOMMENDED LISTINGS

Heads may be positioned to accept actuation from any of four directions, 90° apart.



| | Plain (LSE) | Roller (LSF) | Adjustable (LSW) | Maintained (LSG) |
|--|--|---------------------------------|---|--|
| | | | | |
| Description | Side plain plunger (momentary) | Side roller plunger (momentary) | Adjustable side plain plunger (momentary) | Side plain plunger with maintained contact |
| | | | | |
| Contact closed ■ Contact open □ | | | | |
| Pretravel | 2,54 mm [0.10 in] | | | 4,32 mm [0.17 in] |
| Different. travel | Single pole: 0,64 mm [0.025 in] Double pole: 0,89 mm [0.035 in] | | | 2,29 mm [0.09 in] |
| Overtravel | 4,83 mm [0.19 in] | | | 2,0 mm [0.08 in] |
| Operating point (nominal) | 33,0 mm [1.30 in] | 44,1 mm [1.74 in] | 41,0 mm to 47,4 mm [1.62 in to 1.87 in] | 67,6 mm [1.48 in] |
| Operating force | 26,7 N [6 lb] max. | | | 44,5 N [10 lb] max. |
| Op. temp range³ | -12 °C to 93 °C [10 °F to 200 °F] (for low temp, high temp, or preleaded versions, see pages 11-12) | | | -1 °C to 93 °C [30 °F to 200 °F] (for low temp, high temp, or preleaded versions, see page 11-12) |

| Circuitry | Contacts | Body Style ² | Conduit (NPT) | Options | | | | |
|-----------------------|-------------------|-------------------------|---------------|------------------------------|--------------|--------------|--------------|--------------|
| SPDT Double Break | Silver | Plug-in | 0.5 in | | LSE1A | LSF1A | LSW1A | LSG1A |
| | Gold ⁴ | Plug-in | 0.5 in | | LSE1E | LSF1E | LSW1E | LSG1E |
| | Silver | Plug-in | 0.5 in | 120 V Ind. lite ¹ | LSE5A | LSF5A | LSW5A | LSG5A |
| | Silver | Plug-in | 0.5 in | 240 V Ind. lite ¹ | LSE8A | LSF8A | LSW8A | LSG8A |
| | Silver | Non-plug-in | 0.5 in | | LSE3K | LSF3K | LSW3K | LSG3K |
| DPDT Double Break | Silver | Plug-in | 0.75 in | | LSE2B | LSF2B | LSW2B | LSG2B |
| | Silver | Plug-in | 0.5 in | | LSE2R | LSF2R | LSW2R | LSG2R |
| | Silver | Plug-in | 0.75 in | 120 V Ind. lite ¹ | LSE6B | LSF6B | LSW6B | LSG6B |
| | Gold ⁴ | Plug-in | 0.5 in | | LSE6S | - | - | - |
| | Silver | Non-plug-in | 0.75 in | | LSE4L | LSF4L | LSW4L | LSG4L |
| | Silver | Non-plug-in | 0.5 in | | LSE7L | LSF7L | LSW7L | LSG7L |

¹ Use at voltage indicated for light. Wired to NO circuit. Upper temperature limit for lighted units is 93 °C [200 °F]

² Plug-in listings include base receptacle

³ Completely fluorocarbon sealed switches are preferred for use in temperatures above 93 °C [200 °F]

⁴ Gold-plated contacts

NOTE: Same polarity each pole.

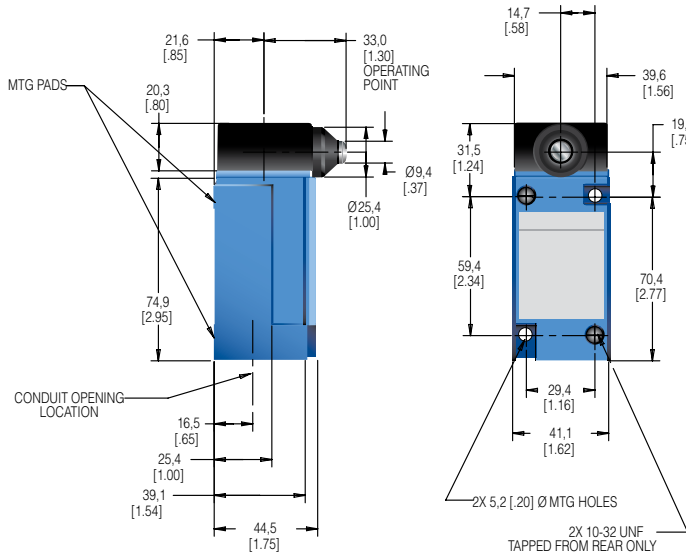
To order a fluorocarbon sealed switch, insert the letters **Y** and **C** into the catalog listing as follows. The LSA1A limit switch is changed to a LSY**AC**1A limit switch.

To order a low temperature, fluorosilicone sealed switch, insert the letters **Y** and **B** into the catalog listing as follows. The LSA1A limit switch is changed to a LSY**AB**1A limit switch.

MICRO SWITCH™ Heavy-Duty Limit Switches

Figure 16. MICRO SWITCH™ HDLS LSE Series side plain plunger (single pole) dimensions

SPDT Plug-in (mm[in])



SPDT Non-plug-in (mm[in])

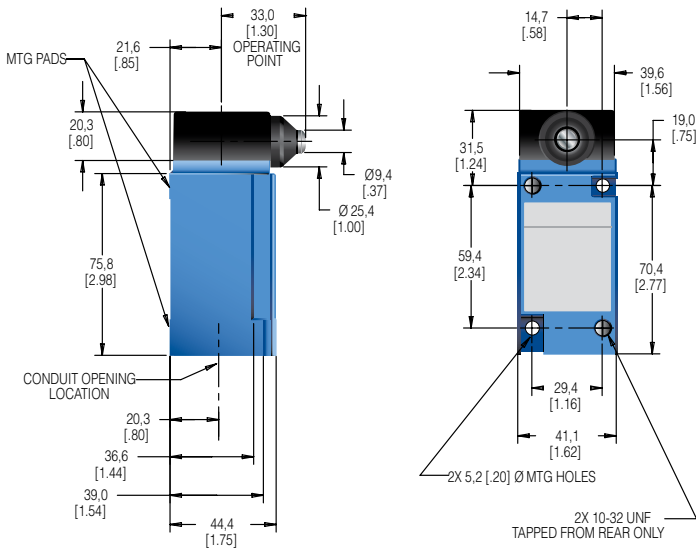
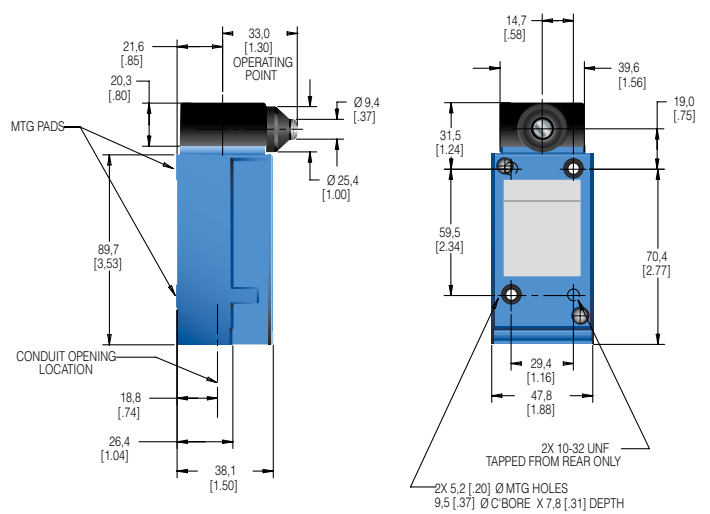
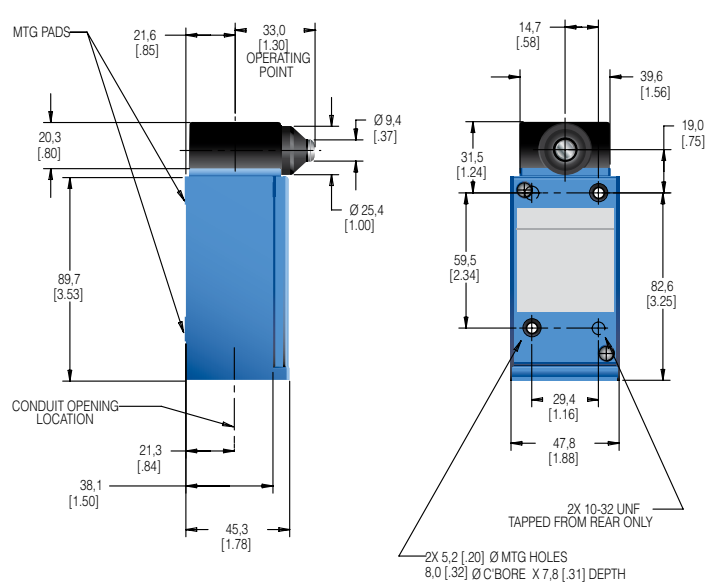


Figure 17. MICRO SWITCH™ HDLS LSE Series side plain plunger (double pole) dimensions

DPDT Plug-in (mm[in])



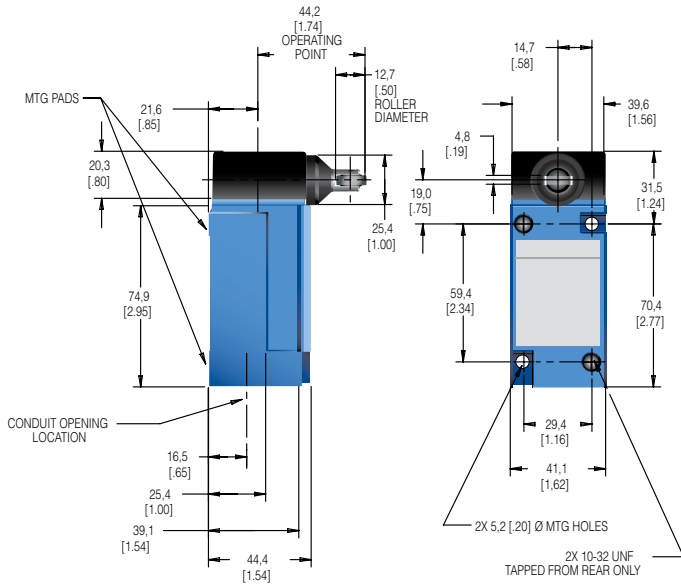
DPDT Non-plug-in (mm[in])



HDLS Series

Figure 18. MICRO SWITCH™ HDLS LSF Series side roller plunger (single pole) dimensions

SPDT Plug-in (mm[in])



SPDT Non-plug-in (mm[in])

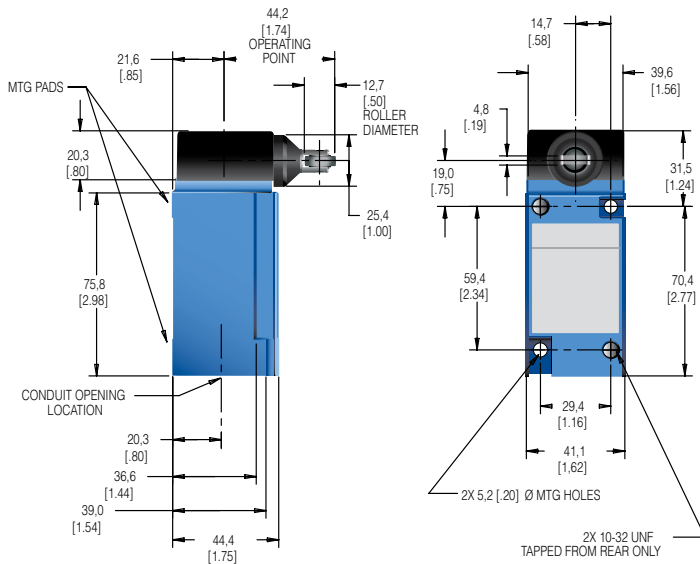
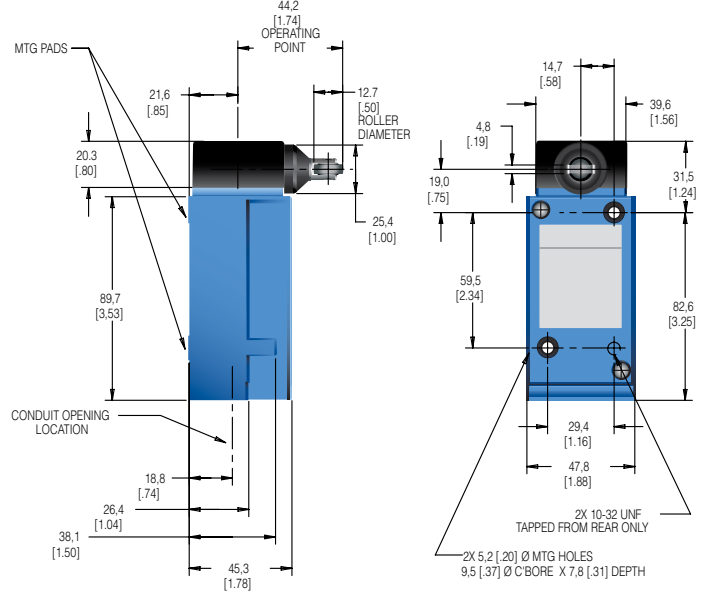
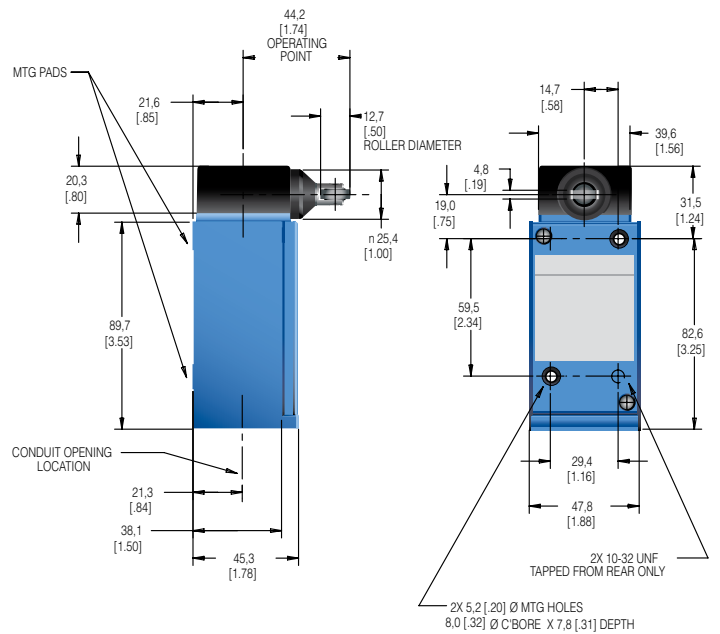


Figure 19. MICRO SWITCH™ HDLS LSF Series side roller plunger (double pole) dimensions

DPDT Plug-in (mm[in])



DPDT Non-plug-in (mm[in])



MICRO SWITCH™ Heavy-Duty Limit Switches

Figure 20. MICRO SWITCH™ HDLS LSW Series side adjustable plunger (single pole) dimensions

SPDT Plug-in (mm[in])

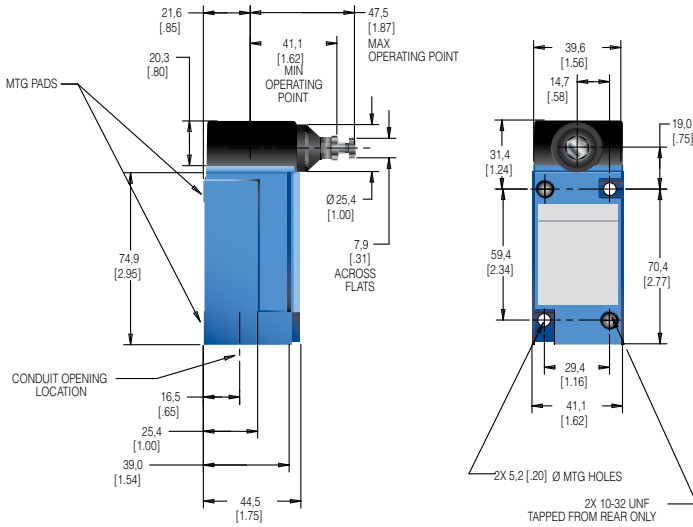
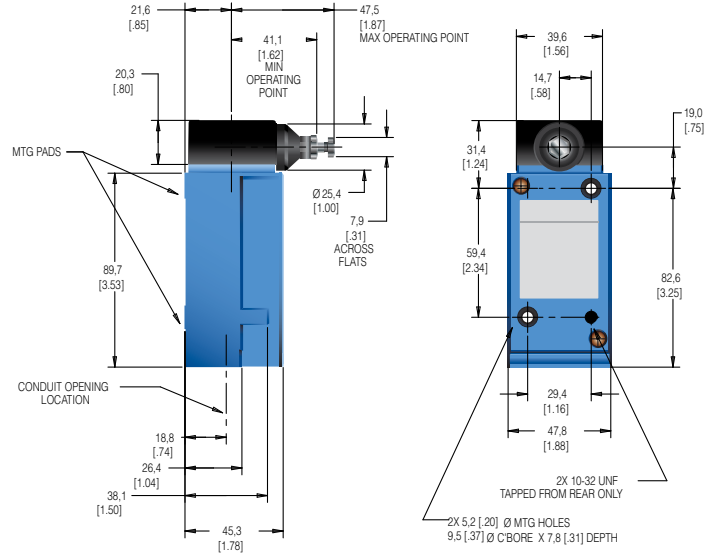
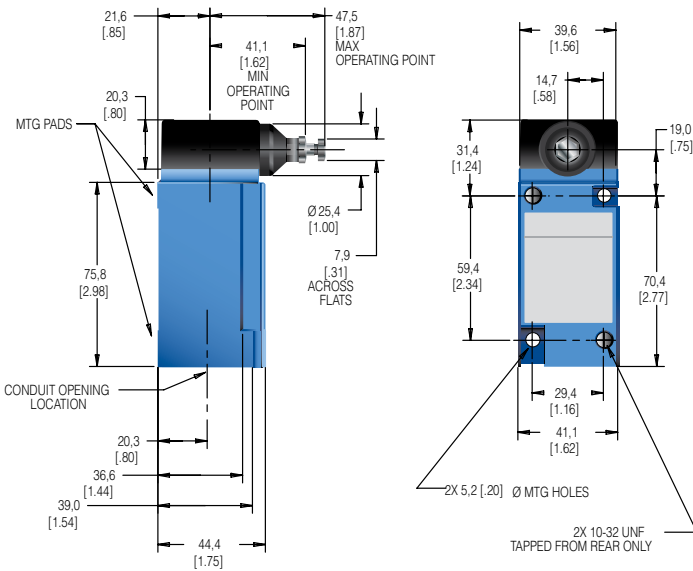


Figure 21. MICRO SWITCH™ HDLS LSW Series side adjustable plunger (double pole) dimensions

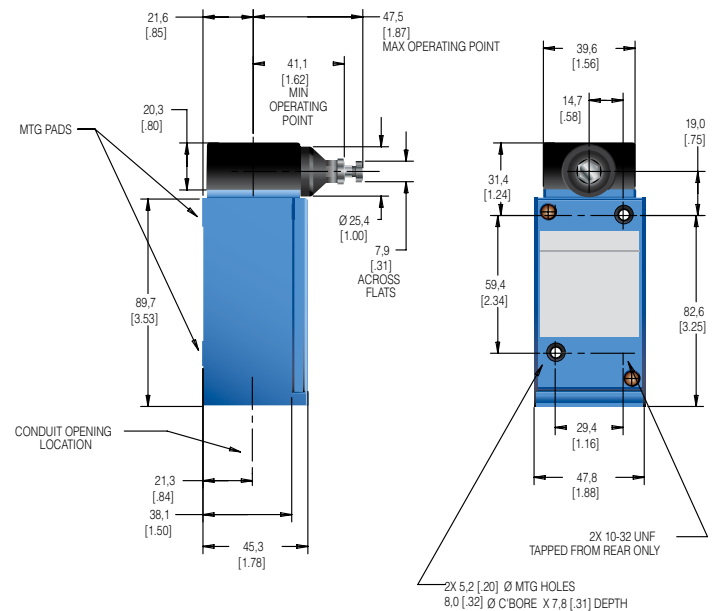
DPDT Plug-in (mm[in])



SPDT Non-plug-in (mm[in])



DPDT Non-plug-in (mm[in])



HDLS Series

Figure 22. MICRO SWITCH™ HDLS LSG Series maintained contact side plunger (single pole) dimensions

SPDT Plug-in (mm[in])

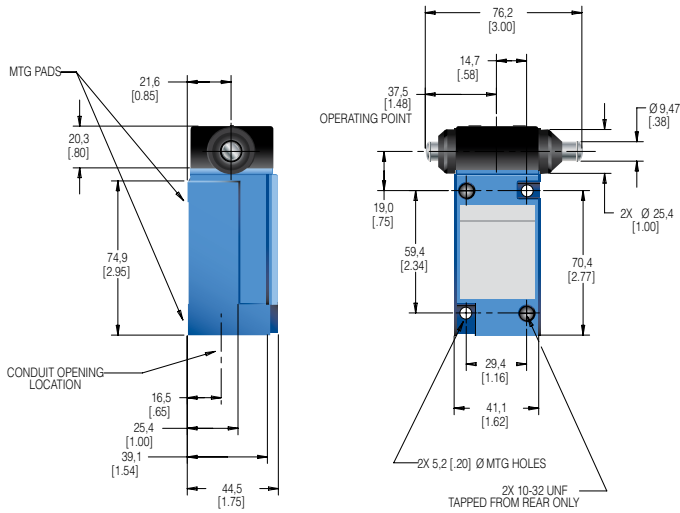
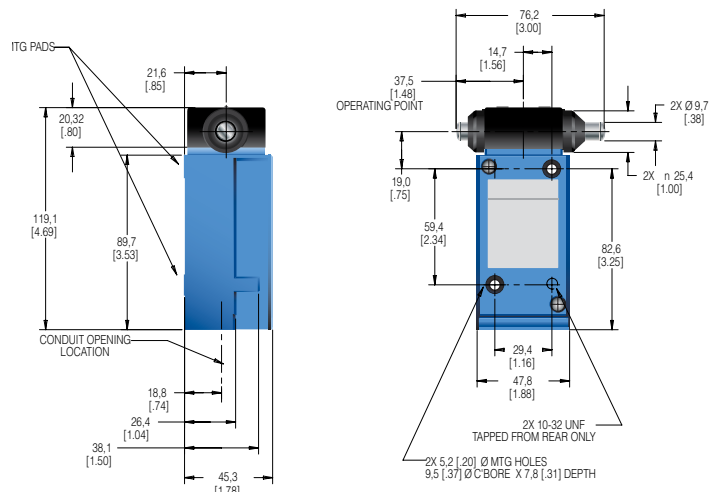
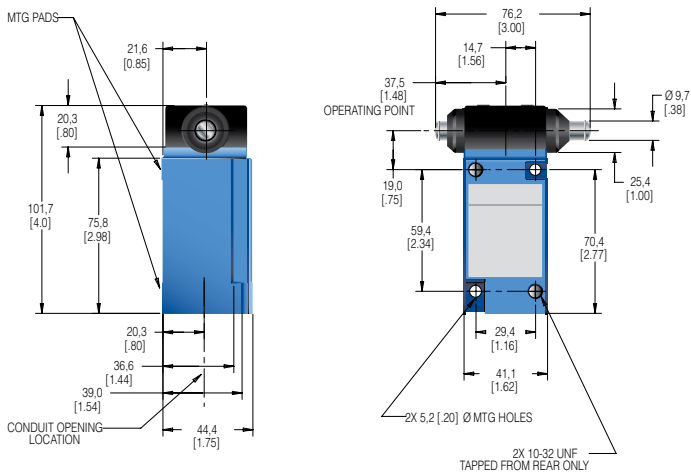


Figure 23. MICRO SWITCH™ HDLS LSG Series maintained contact side plunger (double pole) dimensions

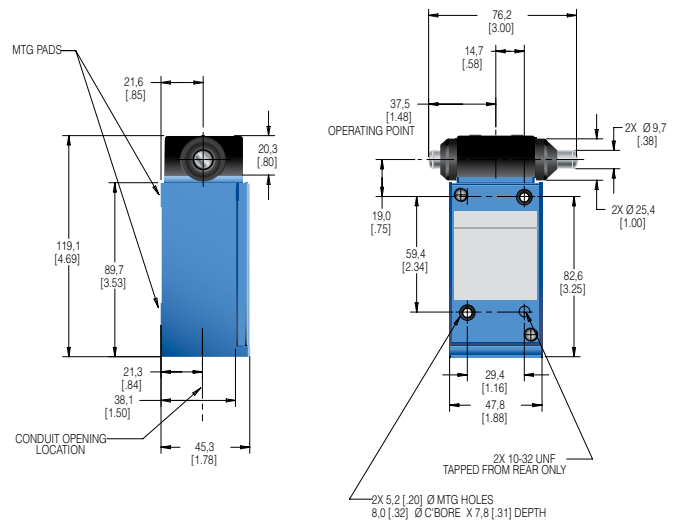
DPDT Plug-in (mm[in])



SPDT Non-plug-in (mm[in])


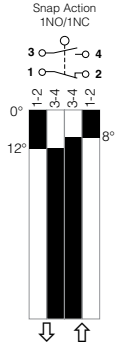
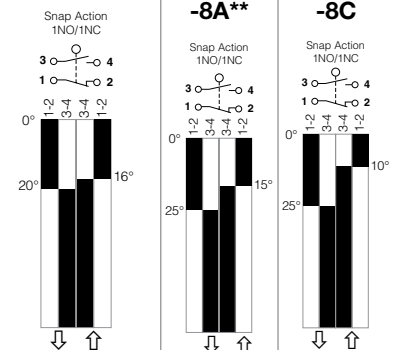
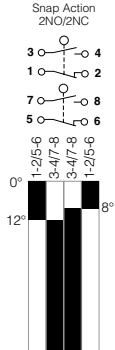
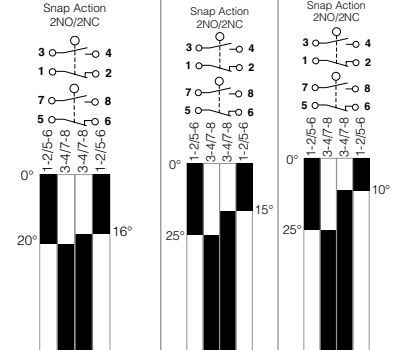
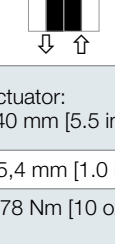
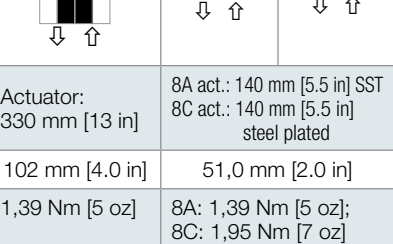
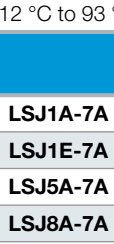
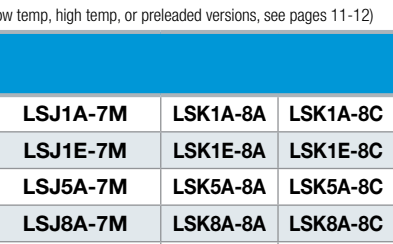

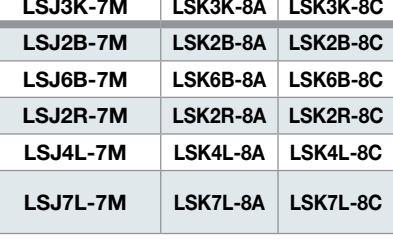


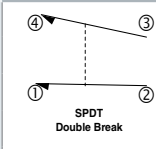
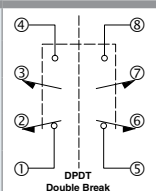
DPDT Non-plug-in (mm[in])



MICRO SWITCH™ Heavy-Duty Limit Switches

WOBBLES • MICRO SWITCH™ HDLS SERIES ORDER GUIDE/RECOMMENDED LISTINGS

| | LSJ Series 7A Actuator | LSJ Series 7N Actuator | LSJ Series 7M Actuator | LSK Series 8A-8C Actuator | |
|--|--|---------------------------|---|---|--|
| Description | Plastic rod lever (wobble stick) | Flexible cable lever | Spring wire lever - may be formed for special needs | Cat whisker actuator for low operating force applications | |
|  <p>LSJ1A-7A - Plastic rod LSJ1A-7M - Spring wire LSJ1A-7N - Flexible actuator LSK1A-8A - Cat whisker LSK1A-8C - Coil spring</p> |  | |  | | |
| |  | |  | | |
| |  | |  | | |
| |  | |  | | |
| |  | |  | | |
| Legend | Contact closed ■ Contact open □ | | | | |
| Lever length from top mounting hole | Actuator: 140 mm [5.5 in] | Actuator: 140 mm [5.5 in] | Actuator: 330 mm [13 in] | 8A act.: 140 mm [5.5 in] SST 8C act.: 140 mm [5.5 in] steel plated | |
| Pretravel | 25,4 mm [1.0 in] | 38,0 mm [1.5 in] | 102 mm [4.0 in] | 51,0 mm [2.0 in] | |
| Oper. force | 2,78 Nm [10 oz] | 1,95 Nm [7 oz] | 1,39 Nm [5 oz] | 8A: 1,39 Nm [5 oz]; 8C: 1,95 Nm [7 oz] | |
| Op. temp range³ | -12 °C to 93 °C [10°F to 200 °F] (for low temp, high temp, or preloaded versions, see pages 11-12) | | | | |

| Circuitry | Contacts | Body Style ² | Conduit (NPT) | Options | | | | | |
|--|-------------------|-------------------------|---------------|------------------------------|-----------------|-----------------|-----------------|-----------------|-----------------|
|  <p>SPDT Double Break</p> | Silver | Plug-in | 0.5 in | | LSJ1A-7A | LSJ1A-7N | LSJ1A-7M | LSK1A-8A | LSK1A-8C |
| | Gold ⁴ | Plug-in | 0.5 in | | LSJ1E-7A | - | LSJ1E-7M | LSK1E-8A | LSK1E-8C |
| | Silver | Plug-in | 0.5 in | 120 V Ind. lite ¹ | LSJ5A-7A | LSJ5A-7N | LSJ5A-7M | LSK5A-8A | LSK5A-8C |
| | Silver | Plug-in | 0.5 in | 240 V Ind. lite ¹ | LSJ8A-7A | LSJ8A-7N | LSJ8A-7M | LSK8A-8A | LSK8A-8C |
| | Silver | Non-plug-in | 0.5 in | | LSJ3K-7A | LSJ3K-7N | LSJ3K-7M | LSK3K-8A | LSK3K-8C |
|  <p>DPDT Double Break</p> | Silver | Plug-in | 0.75 in | | LSJ2B-7A | LSJ2B-7N | LSJ2B-7M | LSK2B-8A | LSK2B-8C |
| | Silver | Plug-in | 0.5 in | | LSJ6B-7A | LSJ6B-7N | LSJ6B-7M | LSK6B-8A | LSK6B-8C |
| | Silver | Plug-in | 0.75 in | 120 V Ind. lite ¹ | LSJ2R-7A | LSJ2R-7N | LSJ2R-7M | LSK2R-8A | LSK2R-8C |
| | Silver | Non-plug-in | 0.75 in | | LSJ4L-7A | LSJ4L-7N | LSJ4L-7M | LSK4L-8A | LSK4L-8C |
| | Silver | Non-plug-in | 0.5 in | | LSJ7L-7A | LSJ7L-7N | LSJ7L-7M | LSK7L-8A | LSK7L-8C |

¹ Use at voltage indicated for light. Wired to NO circuit. Upper temperature limit for lighted units is 93°C [200 °F]

² Plug-in listings include base receptacle

³ Completely fluorocarbon sealed switches are preferred for use in temperatures above 93 °C [200 °F]

⁴ Gold-plated contacts

** These cat whiskers have a 140 mm [5.5 in] long actuator. To specify a 190 mm [7.5 in] length actuator, substitute **-8B** for **-8A**.

NOTE: Same polarity each pole.

To order a fluorocarbon sealed switch, insert the letters **Y** and **C** into the catalog listing as follows. The LSA1A limit switch is changed to a **LSYAC1A** limit switch.

To order a low temperature, fluorosilicone sealed switch, insert the letters **Y** and **B** into the catalog listing as follows. The LSA1A limit switch is changed to a **LSYAB1A** limit switch.

HDLS Series

Figure 24. MICRO SWITCH™ HDLS LSJ__-7A Series wobble (single pole) dimensions

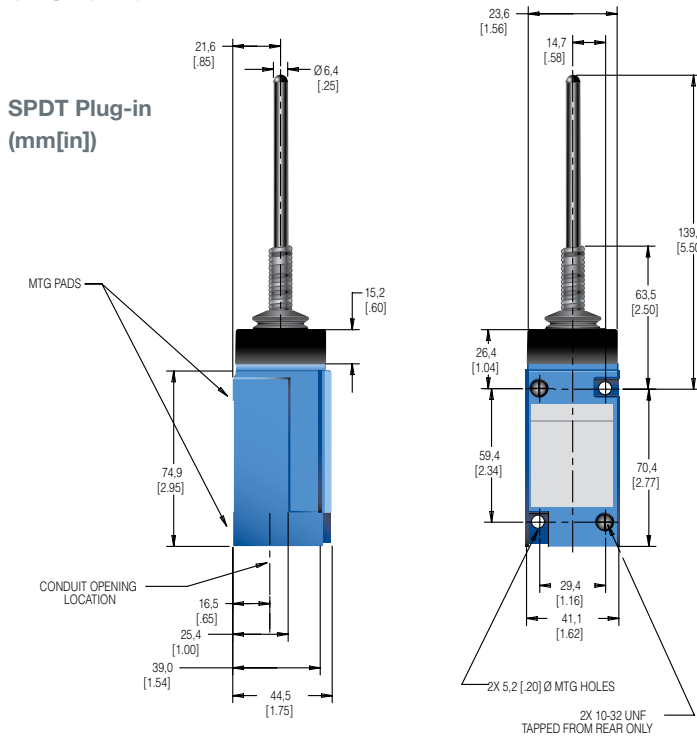
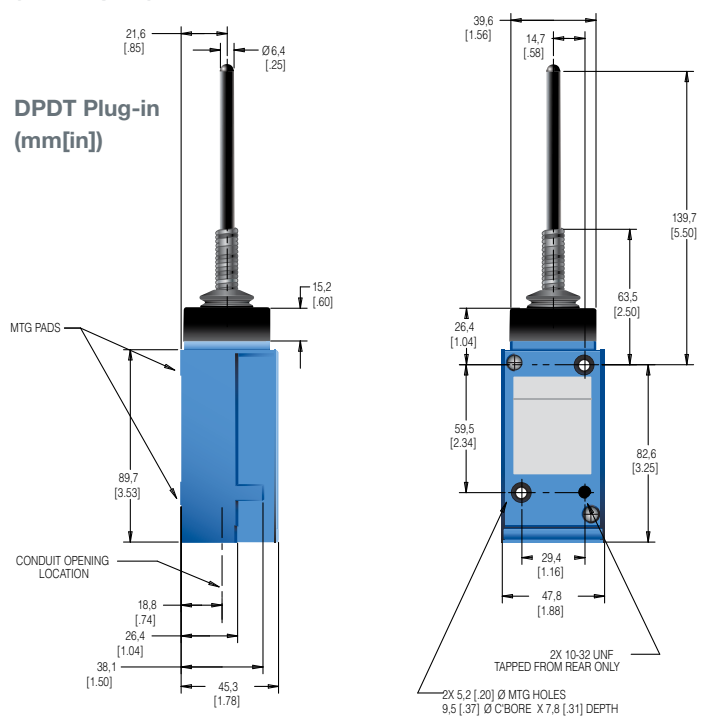


Figure 25. MICRO SWITCH™ HDLS LSJ__-7A Series wobble (double pole) dimensions



MICRO SWITCH™ Heavy-Duty Limit Switches

Figure 26. MICRO SWITCH™ HDLS LSJ__-7N Series wobble (single pole) dimensions

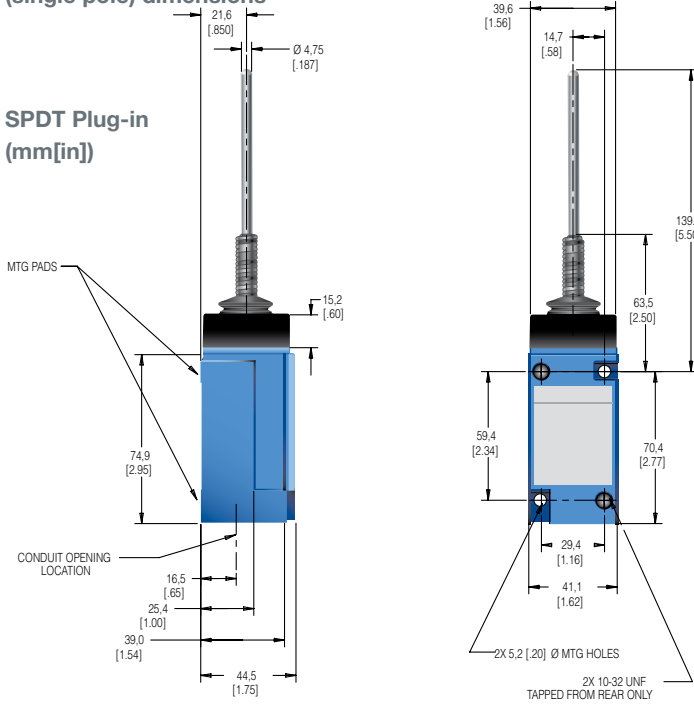
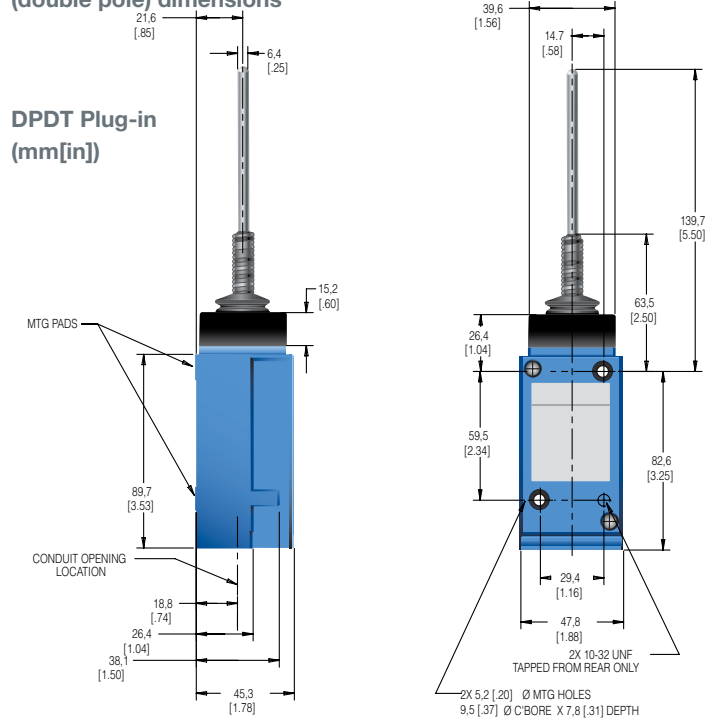
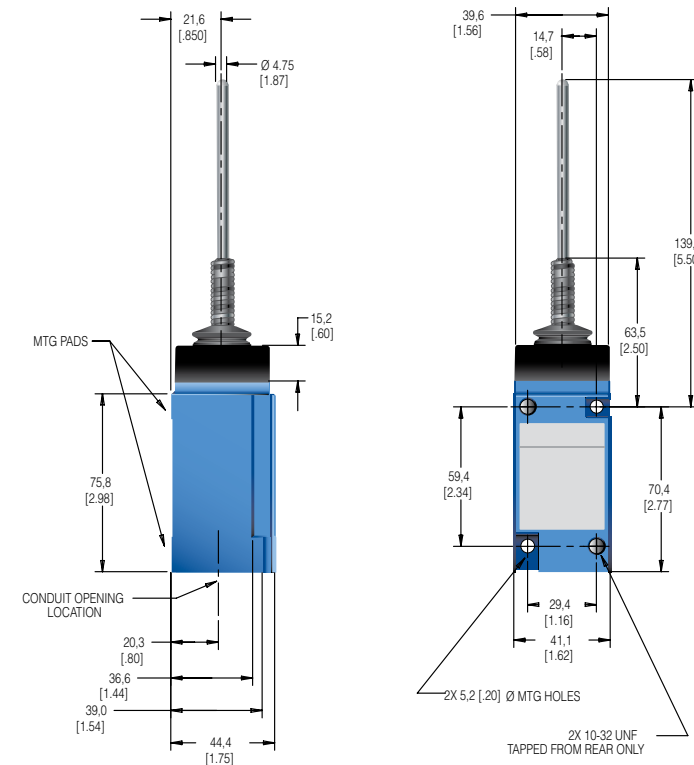


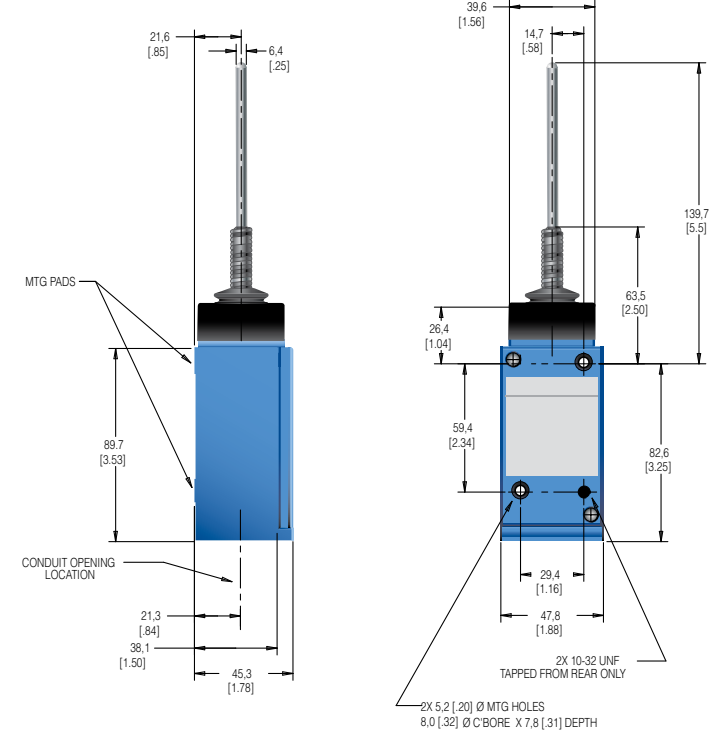
Figure 27. MICRO SWITCH™ HDLS LSJ__-7N Series wobble (double pole) dimensions



SPDT Non-plug-in (mm[in])



DPDT Non-plug-in (mm[in])



HDLS Series

Figure 28. MICRO SWITCH™ HDLS LSJ_ _-7M Series wobble (single pole) dimensions

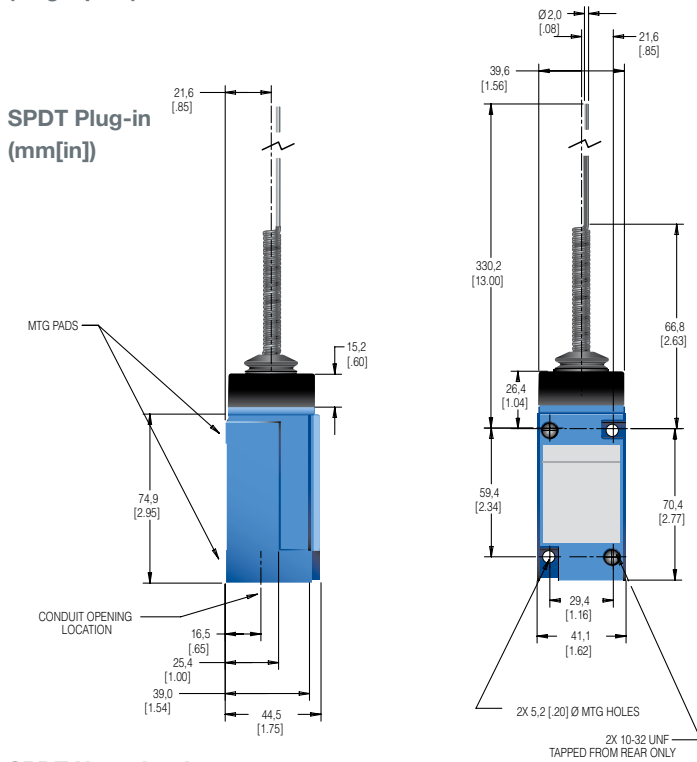
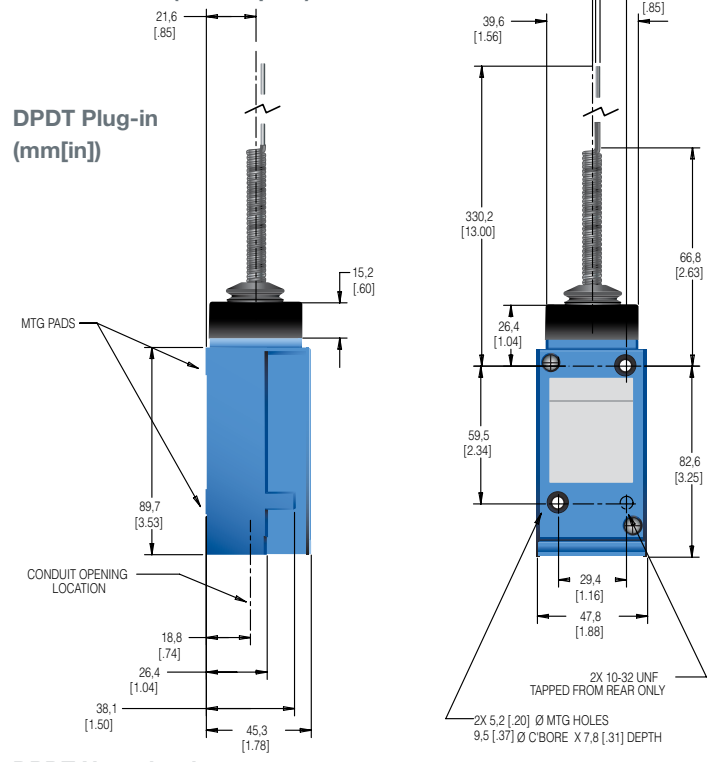


Figure 29. MICRO SWITCH™ HDLS LSJ_ _-7M Series wobble (double pole) dimensions



MICRO SWITCH™ Heavy-Duty Limit Switches

Figure 30. MICRO SWITCH™ HDLS LSK__-8A Series wobble (single pole) dimensions

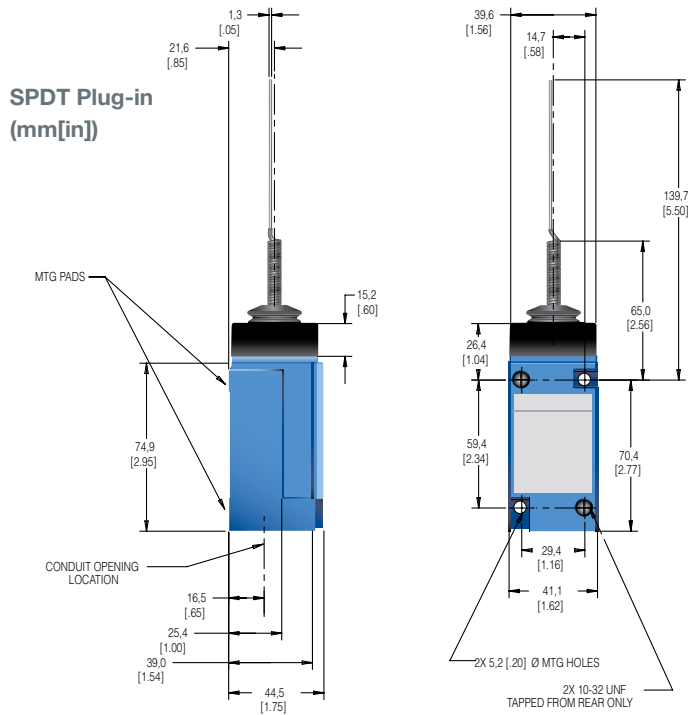
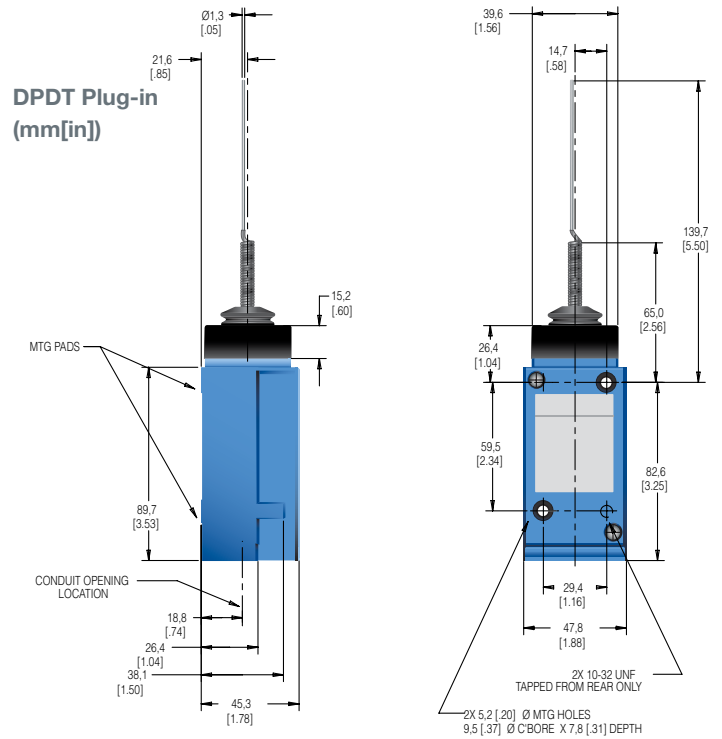
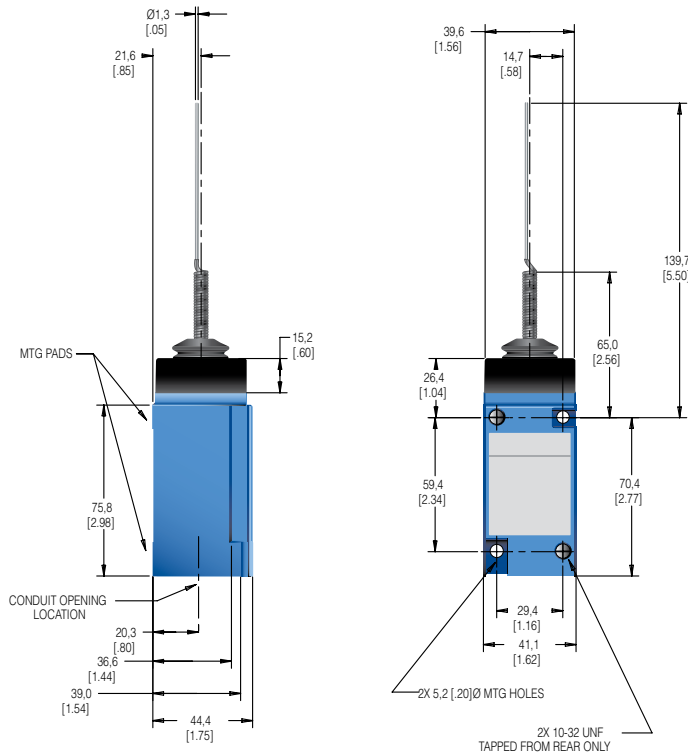


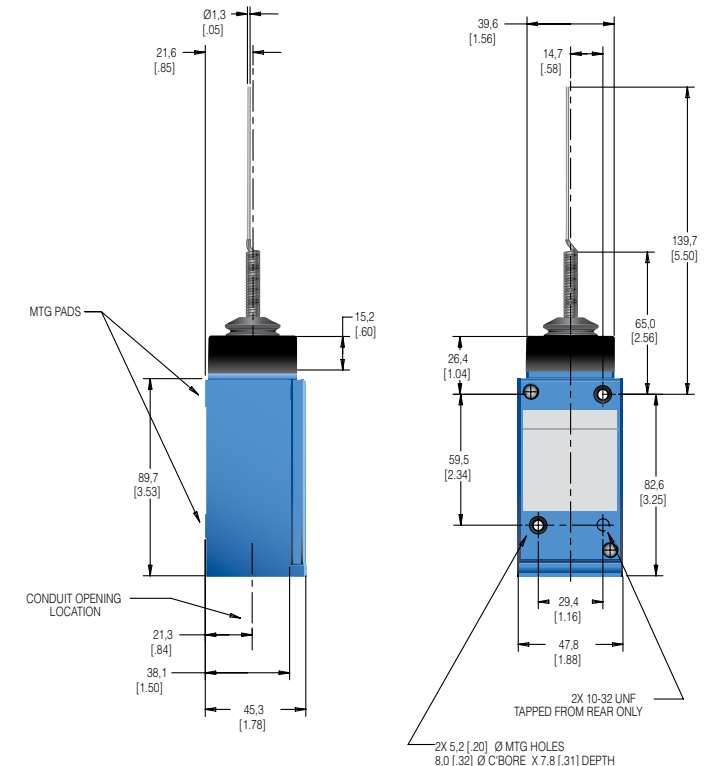
Figure 31. MICRO SWITCH™ HDLS LSK__-8A Series wobble (double pole) dimensions



SPDT Non-plug-in (mm[in])



DPDT Non-plug-in (mm[in])



HDLS Series

Figure 32. MICRO SWITCH™ HDLS LSK__-8C Series wobble (single pole) dimensions

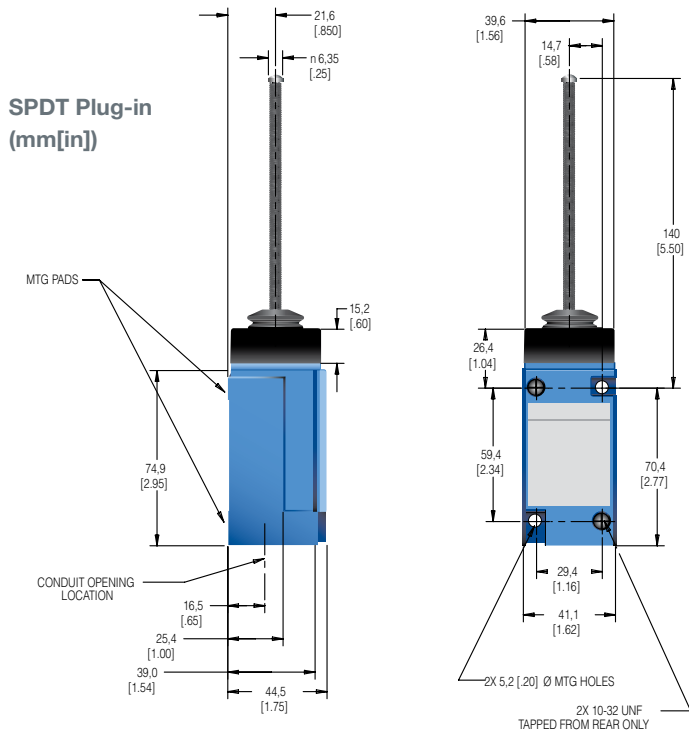
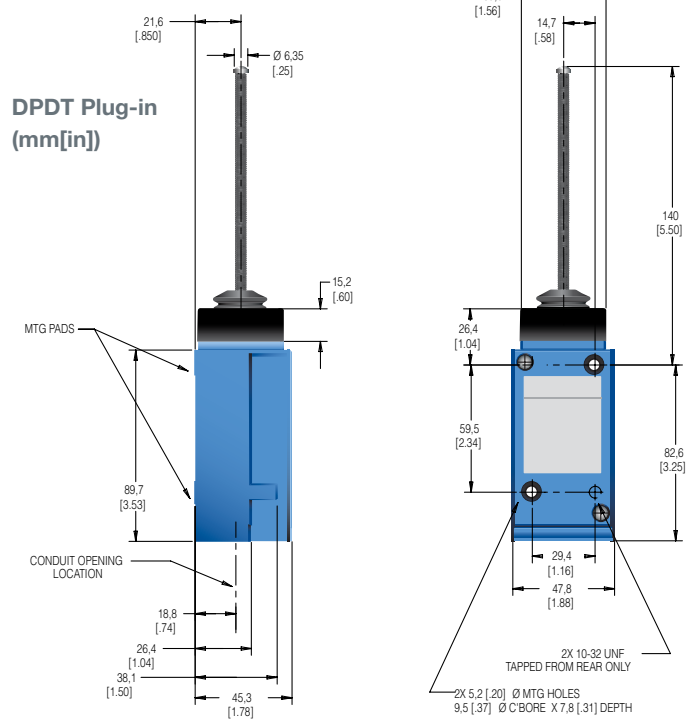
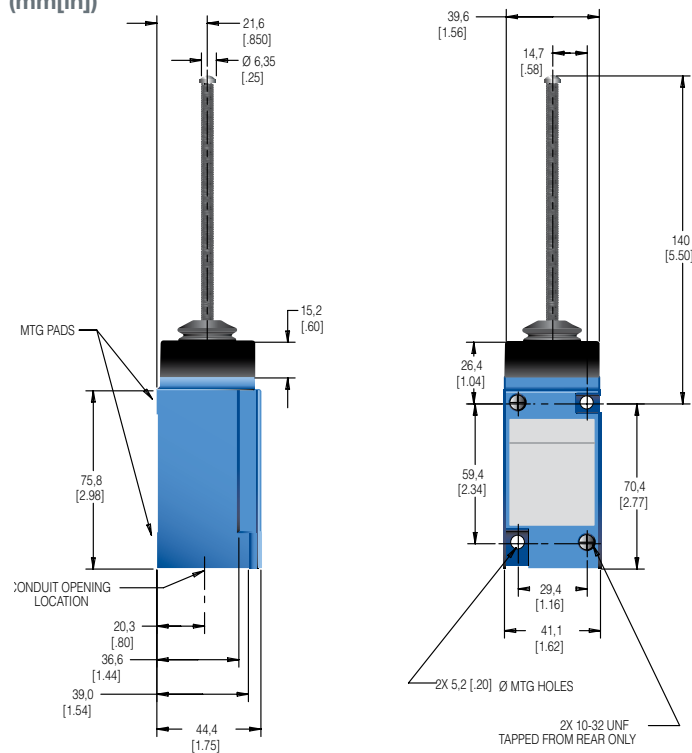


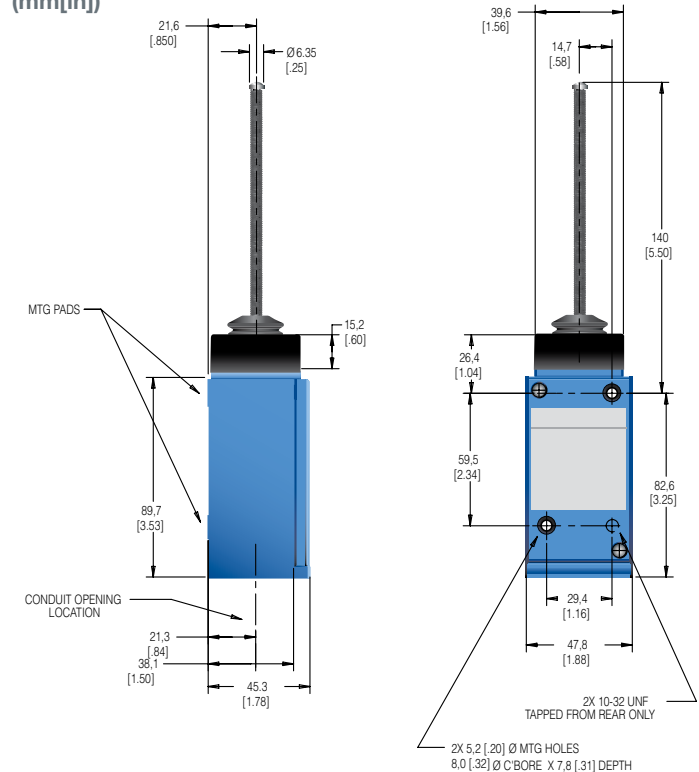
Figure 33. MICRO SWITCH™ HDLS LSK__-8C Series wobble (double pole) dimensions



SPDT Non-plug-in (mm[in])



DPDT Non-plug-in (mm[in])



MICRO SWITCH™ Heavy-Duty Limit Switches

SPECIAL APPLICATIONS

HIGH CAPACITY LIMIT SWITCH

Features

- High dc current ratings
- 20 A rating at 120 Vac (single pole)
- Plug-in or non-plug in
- Positive retention lever arm
- High resistance to seismic shock

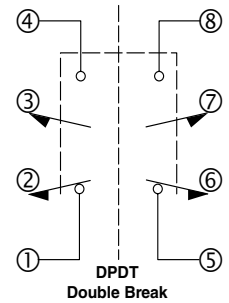
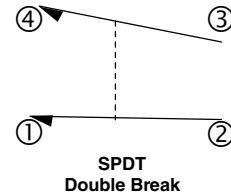


This series has a wide gap contact block that handles a higher make/break dc load. In addition, a special lever arm has a serrated shaft hole and a cap screw with locking nut for attaching the lever to the rotary shaft. This assures a firm grip on the operating shaft and positive retention of the lever adjustment.

The need for precise operation, coupled with challenging environmental conditions places rigid demands on any control. Honeywell's products are intended to satisfy these demands with its high capacity HDLS, designed to perform reliably under these conditions.

Listings

| | | |
|---------------------|---|--|
| LSQ051 | Double pole, non-plug-in, 0.75 in conduit | |
| LSQ052 | Double pole, plug-in, 0.75 in conduit | |
| LSQ053 | Single pole, non-plug-in, 0.5 in conduit | |
| LSQ054 | Single pole, plug-in, 0.5 in conduit | |
| LSZ616 | Replacement lever for above listings | |
| Pretravel | 17° max. | |
| Diff. travel | 8° max. | |
| Overtravel | 58° min. | |
| Oper. torque | 0,45 Nm [4 in-lb] max. | |
| Action | CW and CCW (spring return) | |



| Voltage | Single Pole | | Double Pole | |
|---------|----------------|----------------|----------------|----------------|
| | Resistive Load | Inductive Load | Resistive Load | Inductive Load |
| 125 Vdc | 2.0 A | 1.0 A | 1.0 A | 0.4 A |
| 250 Vdc | 0.7 A | 0.4 A | 0.4 A | 0.2 A |
| 120 Vac | 20 A | 20 A | 10 A | 10 A |
| 240 Vac | 15 A | 15 A | 7.5 A | 7.5 A |
| 480 Vac | 10 A | 10 A | 5 A | 5 A |
| 600 Vac | 5 A | 5 A | 2.5 A | 2.5 A |

Maximum operating rate - 15 operations per minute.

NOTE: Same polarity each pole.

SPECIAL APPLICATIONS

GRAVITY RETURN SIDE ROTARY SWITCHES (LSS)

LSS1H gravity-return, side-rotary switches have no return spring mechanism. The weight of the actuating lever must provide the force to restore it to the free position. The 5 in-oz. max. operating torque is useful in conveyor applications since it enables operation by small or lightweight objects. Because the head is unsealed, the **LSS1H** is classified as NEMA 1. However, the switch cavity is sealed to protect the switch contacts.

| | LSS1H |
|--------------------------------|----------------------------|
| Description | Gravity-return side rotary |
| Circuitry | SPDT, double break |
| Contacts | Silver |
| Sealing | NEMA 1 |
| Electrical rating | (B) NEMA B600 |
| Body style | Plug-in |
| Conduit (NPT) | 0.5 in |
| Differential travel | 12° max. |
| Total travel (no stop)* | 360° |
| Operating torque | 0,035 Nm [5 in-oz] max. |



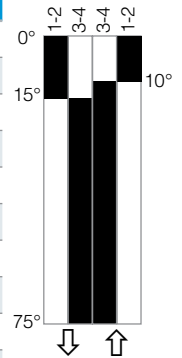
* Switch has approximately 180° dwell of the normally closed and normally open switch contacts.

NOTE: Same polarity each pole.

EXTRA LOW TORQUE SIDE ROTARY SWITCHES (LST)

LST1H extra-low torque, side-rotary switches have a low force return spring and a maximum operation torque of 12 in-oz. It is rated as NEMA 1 due to an unsealed head. The switch cavity is sealed to protect the switch contacts.

| | LST1H |
|----------------------------|------------------------------|
| Description | Extra-low torque side rotary |
| Circuitry | SPDT, double break |
| Contacts | Silver |
| Sealing | NEMA 1 |
| Electrical rating | (B) NEMA B600 |
| Body style | Plug-in |
| Conduit (NPT) | 0.5 in |
| Pretravel | 15° max. |
| Differential travel | 5° max. |
| Overtravel | 60' min. |
| Total travel | 75° nom. |
| Operating torque | 0,085 Nm [12 in-oz] max. |



NOTE: Same polarity each pole.

MICRO SWITCH™ Heavy-Duty Limit Switches

This datasheet supports the following MICRO SWITCH™ HDLS Series Heavy-Duty Limit Switches.

| | | | | | | |
|---------------|-------------|------------|----------|------------|-----------|------------------|
| LS2A4K | LS4K1A-8A | LSA3K-1N | LSB2R | LSG1E | LSK6B-8C | LSP1A-2A |
| LS2A4KC | LS4K1A-8C | LSA3K-2A | LSB3K | LSG2B | LSK7L-8A | LSP1A-2D |
| LS2A4KPC | LS4L6C | LSA3K-2B | LSB3K-1B | LSG3K | LSK7L-8B | LSP1A4 |
| LS2A4KY-FP | LS4M2D | LSA3K-2C | LSB3K-1D | LSG4L | LSK7L-8C | LSP1A-4M |
| LS2A4L | LS4N1A | LSA3K-2D | LSB3K-2C | LSG5A | LSK8A-8A | LSP1A5-1C |
| LS2A4L-RS | LS4N2B | LSA3K-2J | LSB4L | LSG6B | LSK8A-8B | LSP1AB |
| LS2A4LX-FP | LS4P1A | LSA3K3 | LSB5A | LSG7L | LSK8A-8C | LSP1E |
| LS2C4L | LS4W1A | LSA3K4 | LSB5A-2D | LSG9A | LSK9A-8C | LSP1E-1A |
| LS2D3N | LS4YAC1A | LSA3K4-1A | LSB6B | LSH1A | LSL2C | LSP1F |
| LS2D4K | LS4YDC1E | LSA3K4-1B | LSB6B-4N | LSH1A-1B | LSL2C-2D | LSP2B |
| LS2D4KC | LS4YEC1A | LSA3K4-1D | LSB7L | LSH1A2 | LSL2G | LSP2B-1B |
| LS2D4L | LS4YJC1A-7N | LSA3K-4M | LSB7L-1B | LSH1A-2B | LSL4M | LSP3K |
| LS2D4LM | LSA1A | LSA3K-4N | LSB9A | LSH1A-2D | LSL4M4 | LSP3K-1B |
| LS2D4L-RS | LSA1A1 | LSA3K-4R | LSC1A | LSH1AB | LSL6C | LSP3K-1D |
| LS2E4K | LSA1A1-1A | LSA3K-5C | LSC1E | LSH1E | LSL6C-4N | LSP3K3 |
| LS2E4L | LSA1A1-1B | LSA3KA | LSC2B | LSH1E-1A | LSL7M | LSP4L |
| LS2F4K | LSA1A1-2J | LSA3KC | LSC2C | LSH2B | LSL7M-1P | LSP4L-4N |
| LS2F4L | LSA1A13 | LSA3N | LSC3K | LSH2B-1B | LSM2D | LSP4L5 |
| LS2F4L5 | LSA1A14 | LSA3N14-2J | LSC3KC | LSH2B-2D | LSM2D-1A | LSP5A |
| LS2H3K | LSA1A15 | LSA4L | LSC4L | LSH3K | LSM2D-1B | LSP5A7 |
| LS2H4K | LSA1A-1A | LSA4L1 | LSC5A | LSH4L | LSM2D-1D | LSP6B |
| LS2H4L | LSA1A-1B | LSA4L-1A | LSC6B | LSH4L13 | LSM2D-2D | LSP7L |
| LS2H4L3 | LSA1A-1C | LSA4L-1B | LSC7L | LSH4L-1B | LSM2D-2J | LSP7L-2D |
| LS2M4N | LSA1A-1D | LSA4L-1D | LSC8A | LSH4L3 | LSM2DM | LSP7L3 |
| LS2M4N3 | LSA1A-1F | LSA4L23 | LSD1A | LSH5A | LSM2H | LSP7S3 |
| LS2M4NM | LSA1A-1L | LSA4L-2A | LSD1A6 | LSH5A-1L | LSM2U | LSP8A |
| LS2N3K | LSA1A-1M | LSA4L-2B | LSD1E | LSH5A-4N | LSM4N | LS-PA5A4 |
| LS2YAB4K | LSA1A1S | LSA4L3-1D | LSD1F | LSH6B | LSM4N-1A | LSPA5D2 |
| LS2YAB4L | LSA1A2 | LSA4L4 | LSD2B | LSH6B-1B | LSM4N-1B | LSPA5D4 |
| LS2YAB4L5M | LSA1A2-2J | LSA4L4-1D | LSD2F | LSH7L | LSM4N-2B | LSQ037 |
| LS2YCB4K | LSA1A-2A | LSA4S | LSD3K | LSH9A | LSM6D | LSQ038 |
| LS2YDB4K | LSA1A-2B | LSA5A | LSD3K6 | LSH9A7 | LSM6D-1B | LSQ051 |
| LS2YEB4K | LSA1A-2C | LSA5A15 | LSD4L | LSJ1A | LSM6D-1D | LSQ052 |
| LS2YMB4N | LSA1A-2D | LSA5A-1A | LSD5A | LSJ1A-1N | LSM6D-1P | LSQ053 |
| LS2Z1A | LSA1A-2E | LSA5A-1B | LSD5A7 | LSJ1A-7A | LSM6D-2A | LSQ054 |
| LS2Z1AB | LSA1A-2J | LSA5A-1C | LSD6B | LSJ1A-7M | LSM6D-2B | LSQ081 |
| LS2Z1D | LSA1A-2K | LSA5A-1D | LSD7L | LSJ1A-7N | LSM6D3 | LSQ117-QC |
| LS2Z1E | LSA1A3 | LSA5A25 | LSD8A | LSJ1AB-7N | LSM6D4-5D | LSQ2A4L352 |
| LS2Z1F | LSA1A3-1B | LSA5A7B | LSD9A | LSJ1AC-7M | LSM6D-5B | LSQ2H4KP227 |
| LS2Z1H | LSA1A3-5C | LSA5AB-1A | LSE1A | LSJ1AC-7N | LSM6U | LSQ2L4M321 |
| LS2Z1N | LSA1A4 | LSA5AB-1B | LSE1A3 | LSJ1ADD-7A | LSM7N | LSQ300 |
| LS2Z51A | LSA1A-4 | LSA5ADD | LSE1A4 | LSJ1E-7A | LSM7N-1A | LSQ310-20 |
| LS2Z51B | LSA1A-4M | LSA6B | LSE1A5 | LSJ1E-7M | LSM7N-1B | LSQ3A3K281-VL363 |
| LS2Z51D | LSA1A-4N | LSA6B1 | LSE1ADD | LSJ2B-7A | LSM7N-1D | LSQ3N2D3357 |
| LS2Z51R | LSA1A-4R | LSA6B-1A | LSE1E | LSJ2B-7M | LSM7N3 | LSQA1A278 |
| LS2Z52A | LSA1A5 | LSA6B-1B | LSE1E4 | LSJ2B-7N | LSM7N-4 | LSQA1A313 |
| LS2Z52B | LSA1A-9B | LSA6B-1D | LSE2B | LSJ3K | LSM7U | LSQA1A366 |
| LS2Z52D | LSA1AA | LSA6B-1F | LSE3K | LSJ3K-7A | LSM7U-2D | LSQA3K129 |
| LS2Z54N | LSA1AB | LSA6B-1L | LSE4L | LSJ3K-7M | LSN1A | LSQA3K163 |
| LS2Z54N-C | LSA1AB-1B | LSA6B-2B | LSE5A | LSJ3K-7N | LSN1A-1B | LSQA3K-2C-SCO |
| LS2Z616 | LSA1AC | LSA6B-2C | LSE6B | LSJ4L-7A | LSN1A-2C | LSQA6B134 |
| LS30218 | LSA1AC-2C | LSA6B-2D | LSE6B5 | LSJ4L-7M | LSN1A-3A | LSQA6B314 |
| LS3A1A | LSA1AC-4M | LSA6B-3D | LSE6C5 | LSJ5A-7A | LSN1A-3B | LSQD3K-SCO |
| LS3A2B | LSA1AH12 | LSA6B4-2C | LSE6S | LSJ5A-7M | LSN1A-3D | LSQE3K318 |
| LS3A3K | LSA1E | LSA6R | LSE7L | LSJ5A-7N | LSN1A-3P | LSQH1A322 |
| LS3A3K-7AA | LSA1E-1B | LSA6S | LSE7L3 | LSJ6B | LSN1A-3S | LSQJ1A213 |
| LS3A3K-7AA-RS | LSA1E-2A | LSA7L | LSE9A | LSJ6B-7A | LSN1E | LSQL7M122 |
| LS3D3K | LSA1E-2D | LSA7L-1A | LSF1A | LSJ6B-7M | LSN1E-1A | LSQL7M123 |
| LS3F1A8 | LSA1F | LSA7L-1B | LSF1A3 | LSJ6B-7N | LSN1F | LSQM6D315 |
| LS3F1E | LSA2B | LSA7L-1C | LSF1A4 | LSJ7L-7A | LSN1F-1B | LSQMC7N147 |
| LS3M2D | LSA2B15-5D | LSA7L-1D | LSF1A5 | LSJ7L-7M | LSN2B | LSQMC7N148 |
| LS3YDC1A | LSA2B-1A | LSA7L-2D | LSF1A8 | LSJ7L-7N | LSN3K | LSQMC7N311 |
| LS3YDC1E | LSA2B-1B | LSA7L-2J | LSF1E | LSJ8A-7A | LSN4L | LSQR1A316 |
| LS3YVC1A | LSA2B-1C | LSA7L3-1B | LSF1F | LSK1A | LSN4L-2D | LSQUB1A323 |
| LS3YVC1E | LSA2B-1D | LSA7L4 | LSF2B | LSK1A-8A | LSN4L-3B | LSQUC3K170 |
| LS4A1A | LSA2B25-5D | LSA7L-4N | LSF2C | LSK1A-8B | LSN4L-3D | LSQUC5K272 |
| LS4A1E | LSA2B-2A | LSA7L-4R | LSF3K | LSK1A-8C | LSN5A | LSQYAB1AC365 |
| LS4A1J | LSA2B-2B | LSA7L-5C | LSF3K3 | LSK1E-8A | LSN6B | LSQYAB4L347 |
| LS4A2B | LSA2B-2C | LSA8A | LSF3K4 | LSK1E-8C | LSN6B-3B | LSQYAB4LX249 |
| LS4A3K | LSA2B-2D | LSA8A7 | LSF3K5 | LSK1J-8C | LSN7L | LSQYDB3K356 |
| LS4A3K-1B | LSA2B3-5C | LSA9A | LSF3K8 | LSK2B-8A | LSN8A | LSQYFB1A344 |
| LS4A3K-2B | LSA2B4 | LSA9A-1A | LSF3N | LSK2B-8C | LSN8A37 | LSQYFB3K125-QC |
| LS4A3K-7AA | LSA2B5 | LSA9A23 | LSF4L | LSK3K | LSN9A | LSQYFB3K345 |
| LS4C1A | LSA2F | LSA9A-2L | LSF5A | LSK3K-8A | LSN9EDD | LSQYFC3K223 |
| LS4C3K | LSA2R | LSA9ADD | LSF6B | LSK3K-8B | LSP1A | LSQYJB1A346 |
| LS4D1A | LSA2S | LSA9EDD | LSF6B3 | LSK3K-8C | LSP1A-1B | LSQYMC7N361 |
| LS4D3K | LSA3K | LSB1A | LSF7L | LSK4L-8A | LSP1A-1C | LSQYPB3KP364 |
| LS4F1A | LSA3K1 | LSB1A1 | LSF7L3 | LSK4L-8C | LSP1A-1D | LSQYUB1A334 |
| LS4F2B | LSA3K1-1A | LSB1A-1B | LSF7L4 | LSK5A-8A | LSP1A2 | LSQYUB3K336 |
| LS4H1A | LSA3K1-1B | LSB1A-4M | LSF7L5 | LSK5A-8B | LSP1A25 | LSQYUB3K339 |
| LS4J1A-7A | LSA3K-1A | LSB1A-4N | LSF7L8 | LSK5A-8C | | LSQYUB3KC319 |
| LS4J1A-7M | LSA3K-1B | LSB1AC | LSF8A | LSK6B | | |
| LS4J1A-7N | LSA3K1C-1C | LSB1E | LSF9A | LSK6B-8A | | |
| LS4J2B-7N | LSA3K-1D | LSB2B | LSG1A | LSK6B-8B | | |

HDLS Series

| | | | | | | |
|-------------|---------------|---------------|----------------|---------------|-------------|---------|
| LSQZ52J | LSYAB3K-2J | LSYCB9A7 | LSYJB1E-7A | LSYNB3K | LSYVC3KY-FP | LSZ59 |
| LSQZ55C259 | LSYAB3K-5D | LSYCC1A | LSYJB1E-7M | LSYNB3K-3S | LSYVC7L | LSZ59A |
| LSR1A | LSYAB3KE-FP | LSYCC1ADD | LSYJB1J-7A | LSYNB3K5-3S | LSYWB1A | LSZ59AC |
| LSR1A-1A | LSYAB3KPC-FP | LSYCC1ADD-C | LSYJB2B-7M | LSYNB3KP-FP | LSYWB3K | LSZ59B |
| LSR1A-1B | LSYAB3KP-FP | LSYCC1AE | LSYJB3K-7A | LSYNB3KQ-3BFP | LSYWB3KQ-FP | LSZ59C |
| LSR1A-2K | LSYAB3KQ-FP | LSYCC3K | LSYJB3K-7M | LSYNB4L | LSYWC1A | LSZ59D |
| LSR1A-4N | LSYAB3N | LSYCC3KP-FP | LSYJB3K-7N | LSYNB4L-3P | LSYWC1ADD | LSZ59L |
| LSR1A-5C | LSYAB3N-4N | LSYCC3KQ-FP | LSYJB3KQ-7MFP | LSYNB4LX-FP | LSYWC1F | LSZ60A |
| LSR1ADD | LSYAB4L | LSYCC3KY-FP | LSYJB4L-7M | LSYNB5A | LSYWC3KP-FP | LSZ60B |
| LSR1E | LSYAB4L-1B | LSYCC4L | LSYJB4LX-7AFP | LSYNB7L | LSYWC3KY-FP | LSZ61 |
| LSR2B | LSYAB4L24 | LSYCC4LX-FP | LSYJB5A-7A | LSYNC1A | LSYWC5KQ-FP | LSZ616 |
| LSR2B-4N | LSYAB4L24-1 | LSYCC5A | LSYJB6B-7M | LSYNC1ADD | LSYWC6B | LSZ617 |
| LSR3K | LSYAB4L-2A | LSYCC5KP-FP | LSYJC1A-7A | LSYNC1E | LSYWC7L | LSZ618 |
| LSR3K1 | LSYAB4L360 | LSYCC5KY-FP | LSYJC1A-7M | LSYNC3KPC-FP | LSYWC7L | LSZ618 |
| LSR3K-4M | LSYAB4L4 | LSYCC6B | LSYJC1A-7N | LSYNC3KP-FP | LSZ51 | LSZ65AA |
| LSR4L | LSYAB4LX-FP | LSYCC7L | LSYJC1AC-7M | LSYNC3KQ-FP | LSZ51A | LSZ65AB |
| LSR5A | LSYAB4S | LSYDB1A | LSYJC1ADD-7A | LSYNC3KQ-FP | LSZ51B | LSZ65AF |
| LSR6B | LSYAB5A | LSYDB2B | LSYJC1ADD-7N | LSYNC4LX-FP | LSZ51B-C | LSZ65BA |
| LSR6B-2D | LSYAB6B | LSYDB3K | LSYJC3K-7A | LSYNC5KQ-FP | LSZ51C | LSZ65CA |
| LSR6B-2L | LSYAB6B-1B | LSYDB4L | LSYJC3K-7N | LSYPB1A | LSZ51CA | LSZ65CB |
| LSR6B-4M | LSYAB6B-2D | LSYDB6B | LSYJC3K-7AFP | LSYPB1AC | LSZ51D | LSZ65CD |
| LSR7L | LSYAB7L | LSYDB7L | LSYJC3KP-7MFP | LSYPB1E | LSZ51D-C | LSZ65DA |
| LSR7L-2D | LSYAB7L-1A | LSYDC1A | LSYJC3KQ-7AFP | LSYPB2B | LSZ51F | LSZ65DB |
| LSR9A | LSYAB7L-2B | LSYDC1ADD | LSYJC3KQ-7MFP | LSYPB2B-4N | LSZ51G | LSZ65DD |
| LSS1H | LSYAC1A | LSYDC1ADD-C | LSYJC3KQ-7NFP | LSYPB3K | LSZ51J | LSZ65DD |
| LSS1H-4N | LSYAC1A1-1D | LSYDC1AE | LSYJC5KQ-7MFP | LSYPB3K3 | LSZ51L | LSZ65EA |
| LSS1HDD | LSYAC1A-1B | LSYDC3K | LSYJC6B-7M | LSYPB3K4 | LSZ51M | LSZ65EB |
| LSS1HDD-C | LSYAC1A2C | LSYDC3KPC-FP | LSYJC7LR-7MFP | LSYPB3KP-FP | LSZ51N | LSZ65ED |
| LST1H | LSYAC1A-2D | LSYDC3KP-FP | LSYJC7LR-7NFP | LSYPB4L | LSZ51P | LSZ65EE |
| LST1H-1C | LSYAC1A-4N | LSYDC3KQ-FP | LSYKB1A-8A | LSYPB4L-1B | LSZ51R | LSZ65FA |
| LSU1A | LSYAC1A-C | LSYDC3KY-FP | LSYKB1A-8C | LSYPB4L3 | LSZ51T | LSZ65FB |
| LSU1A-1 | LSYAC1ADD | LSYDC4LX-FP | LSYKB3K-8C | LSYPB4L-4N | LSZ51U | LSZ65FD |
| LSU1A-1B | LSYAC1ADD-1B | LSYDC5A | LSYKB4L-8C | LSYPB6B | LSZ51W | LSZ65FF |
| LSU1A-1D | LSYAC1ADD-4N | LSYDC5AC | LSYKB4LM-8C | LSYPB7L | LSZ51Y | LSZ65GA |
| LSU1A-2B | LSYAC1ADD-C | LSYDC5AE | LSYKB6B-8C | LSYPB7L3 | LSZ52 | LSZ65GB |
| LSU1A-2D | LSYAC1AH | LSYDC5KP-FP | LSYKB7L-8C | LSYPC1A | LSZ52A | LSZ65HA |
| LSU1A4 | LSYAC1E | LSYDC5KQ-FP | LSYKC1A-8A | LSYPC1J | LSZ52B | LSZ65HB |
| LSU1A-4R | LSYAC1EC | LSYDC5KY-FP | LSYKC1A-8C | LSYPC2B | LSZ52C | LSZ65HC |
| LSU1E | LSYAC2B | LSYDC6B | LSYKC1AC-8A | LSYPC2B-1B | LSZ52D | LSZ65HD |
| LSU2B | LSYAC2R | LSYDC7L | LSYKC1AC-8C | LSYPC3K | LSZ52E | LSZ65HE |
| LSU3K | LSYAC2S | LSYDC9KP-FP | LSYKC1ADD-8C | LSYPC3KP-FP | LSZ52J | LSZ65JA |
| LSU3K1 | LSYAC3K | LSYEB4L5 | LSYKC1ADD-8C-C | LSYPC3KQ-FP | LSZ52K | LSZ65JB |
| LSU3K-1A | LSYAC3KC-FP | LSYEC1A | LSYKC1E-8C | LSYPC3KY-FP | LSZ52L | LSZ65JD |
| LSU3K-2J | LSYAC3KDD-FP | LSYEC1ADD | LSYKC3K-8C | LSYPC4LX-FP | LSZ52M | LSZ65JE |
| LSU4L | LSYAC3KP | LSYEC1ADD-C | LSYKC3K-8AFP | LSYRB1A | LSZ52N | LSZ65JF |
| LSU5A | LSYAC3KPB-FP | LSYEC1AE | LSYKC3KQ-8CFF | LSYRB3KP-FP | LSZ52R | LSZ65KA |
| LSU6B | LSYAC3KPC-FP | LSYEC3K | LSYKC4L-8C | LSYRB6B | LSZ52W | LSZ65KB |
| LSU7L | LSYAC3KP-FP | LSYEC3KP-FP | LSYKC5KQ-8BFP | LSYRC1A | LSZ52Y | LSZ65LA |
| LSU8A | LSYAC3KQ-1BFP | LSYEC3KQ-FP | LSYKC7LR-8AFP | LSYRC1A3 | LSZ53 | LSZ65LB |
| LSU9A | LSYAC3KQ-FP | LSYEC3KY-FP | LSYLB4M | LSYRC1ADD | LSZ53A | LSZ67AA |
| LSV1A | LSYAC3KQ-FP-C | LSYEC4LX-FP | LSYLB6C | LSYRC1ADD-C | LSZ53B | LSZ68 |
| LSV1E | LSYAC3KY-FP | LSYEC5KP-FP | LSYLB6T | LSYRC1E3 | LSZ53D | LSZ686 |
| LSV2B | LSYAC3N | LSYEC5KY-FP | LSYLB7M | LSYRC2B | LSZ53E | LSZ69CA |
| LSV3K | LSYAC4L | LSYEC6B | LSYLB7MR-FP | LSYRC3KP-FP | LSZ53M | LSZ69DA |
| LSV4L | LSYAC4L4 | LSYFB1A | LSYLB7T | LSYRC4L | LSZ53P | |
| LSV5A | LSYAC4LAA-FP | LSYFB3K | LSYLC2C | LSYRC4LX-FP | LSZ53S | |
| LSV6B | LSYAC4LX-FP | LSYFB3K3 | LSYLC4M | LSYRC5KP-FP | LSZ53U | |
| LSV7L | LSYAC5A | LSYFB3K4 | LSYLC4MX-FP | LSYRC5KQ-FP | LSZ53W | |
| LSW1A | LSYAC5KPC-FP | LSYFB4L | LSYLC6C | LSYRC9A | LSZ54 | |
| LSW1A4 | LSYAC5KP-FP | LSYFB4LM | LSYMB2D | LSYUB1A | LSZ54M | |
| LSW1A5 | LSYAC5KQ-FP | LSYFB4LX-FP | LSYMB2D3 | LSYUB1A13 | LSZ54N | |
| LSW1AC | LSYAC5KY-FP | LSYFB7L | LSYMB4N | LSYUB1A13-2A | LSZ54NA | |
| LSW1E | LSYAC6B | LSYFC1A | LSYMB4N-1A | LSYUB1A13-2B | LSZ54N-C | |
| LSW2B | LSYAC6B-1A | LSYFC1ADD | LSYMB4N-2K | LSYUB1A23 | LSZ54P | |
| LSW3K | LSYAC6B-1B | LSYFC1ADD-C | LSYMB4N3X-FP | LSYUB1A23-2D | LSZ54R | |
| LSW3N | LSYAC6B-2L | LSYFC1AE | LSYMB4NX-FP | LSYUB1A3 | LSZ54S | |
| LSW4L | LSYAC6B-4N | LSYFC3K | LSYMB6D | LSYUB2B | LSZ54T | |
| LSW5A | LSYAC7L | LSYFC3K | LSYMB6D-2D | LSYUB3K | LSZ54V | |
| LSW6B | LSYAC7LR-FP | LSYFC3K48P-FP | LSYMB6D-2D | LSYUB6B | LSZ54W | |
| LSW7L | LSYAC9A | LSYFC3KP-FP | LSYMB6U | LSYUB6B13 | LSZ55 | |
| LSYAB1A | LSYAC9AB | LSYFC3KQ-FP | LSYMB7N | LSYUB6B3 | LSZ55A | |
| LSYAB1A-1B | LSYBB1A | LSYFC3KY-FP | LSYMB7N-1C | LSYUB9AC | LSZ55B | |
| LSYAB1A-2A | LSYBB2B | LSYFC5KQ-FP | LSYMB7N-1D | LSYUC1A | LSZ55C | |
| LSYAB1A3 | LSYBB3K | LSYFC6B | LSYMB7N3 | LSYUC1A-1B | LSZ55D | |
| LSYAB1A-4N | LSYBB3KP-FP | LSYFC7L | LSYMB7N3-1A | LSYUC1ADD | LSZ55E | |
| LSYAB1AB | LSYBB4L | LSYFC7L3 | LSYMB7U | LSYUC2B | LSZ55F | |
| LSYAB1AC | LSYBB5KP-FP | LSYFC7L4 | LSYMC2D-1D | LSYUC3KP-FP | LSZ55K | |
| LSYAB1E | LSYBC1A | LSYGB1A | LSYMC4N | LSYUC3KQ-FP | LSZ55W | |
| LSYAB1E-2B | LSYBC3K | LSYGB1E | LSYMC4NX-1BFP | LSYUC3KY-FP | LSZ55Y | |
| LSYAB1E4-2B | LSYBC3KP-FP | LSYGC3KP-FP | LSYMC4NXB-FP | LSYUC4LX-FP | LSZ56 | |
| LSYAB1EP-1A | LSYBC3KQ-FP | LSYHB1A | LSYMC4NX-FP | LSYUC5KQ-FP | LSZ56A | |
| LSYAB1F | LSYBC5A | LSYHC1A | LSYMC6D | LSYUC6B | LSZ56B | |
| LSYAB2B | LSYBC5KP-FP | LSYHC3K | LSYMC6D-1B | LSYUC9ADD | LSZ56C | |
| LSYAB2B3 | LSYBC9A-1D | LSYHC3KA | LSYMC6DF-1B | LSYVB1A | LSZ56D | |
| LSYAB2F | LSYCB1A | LSYHC3KP-FP | LSYMC6DF-1B | LSYVB2B | LSZ56E | |
| LSYAB2S | LSYCB1E | LSYHC4L | LSYMC7N | LSYVB3K | LSZ56J | |
| LSYAB3K | LSYCB3KQ-FP | LSYHC4LX-FP | LSYMC7NDE-FP | LSYVB4L | LSZ56K | |
| LSYAB3K1 | LSYCB4L | LSYHC7L | LSYMC7NR-FP | LSYVC1A | LSZ56L | |
| LSYAB3K-1B | LSYCB4SX-FP | LSYJB1A-7A | LSYNB1A | LSYVC3KP-FP | LSZ56M | |
| LSYAB3K2-5C | LSYCB6B | LSYJB1A-7M | LSYNB1AC | LSYVC3KQ-FP | LSZ56N | |
| | | LSYJB1A-7N | LSYNB2B | | LSZ581B | |

MICRO SWITCH™ Heavy-Duty Limit Switches

ALSO AVAILABLE



Fully potted MICRO SWITCH™ HDLS heavy-duty limit switches provide an extra degree of protection in harsh environments by sealing the basic switch cavity with epoxy. These switches are the same as the non- plug-in HDLS except that the entire switch cavity is filled with epoxy in addition to the conduit entrance. The fully potted HDLS switches are pre-leaded, with either cable or connectors.

- Excellent sealing capability for harsh-duty food and beverage wash downs and severe machine tool environments
- Diaphragm sealing
- 12 inch STOOW-A cable (other lengths available) or connector version
- Cable versions: NEMA 1, 6, 6P, 12
- Connector versions: NEMA 1, 6, 6P, 12, 13
- All fluorocarbon seals (low temperature fluorosilicone seals available)
- UL, CSA, CE, CCC



MICRO SWITCH™ HDLS switches are also available in all stainless-steel versions. Designed for use in highly corrosive environments, such as petrochemical plants, food processing plants, shipboard, and dockside locations. The type 316 cast stainless steel body is designed to minimize crevices where food particles could become trapped in water. The actuator, operating head, and screws are also stainless steel. All seals are fluorocarbon to provide excellent chemical resistance and to withstand operating temperatures up to 121 °C [250 °F] and pressurized steam cleaning. Pre-leaded and epoxy-filled versions also available.

- Corrosion-resistant stainless steel non-plug in body, head, and rotary shaft
- Stainless steel levers
- Fluorocarbon seals (low temperature fluorosilicone seals available)
- NEMA 1, 3, 3R, 4, 4X, 6, 6P, and 13
- UL, CSA, CE, CCC

To learn more about Honeywell's HDLS products, call **+1-815-235-6847** or **1-800-537-6945**.

ADDITIONAL INFORMATION

The following associated literature is available on the Web at sensing.honeywell.com:

- Product installation instructions
- Product range guide
- Product nomenclature tree
- Product application-specific information
 - Application Note: Sensors and Switches in Oil Rig Applications
 - Application Note: Sensors and Switches for Industrial Manual Process Valves
 - Application Note: Sensors and Switches Used in Valve Actuators and Valve Positioners

WARNING

PERSONAL INJURY

DO NOT USE these products as safety or emergency stop devices or in any other application where failure of the product could result in personal injury.

Failure to comply with these instructions could result in death or serious injury.

WARNING

MISUSE OF DOCUMENTATION

- The information presented in this product sheet is for reference only. Do not use this document as a product installation guide.
- Complete installation, operation, and maintenance information is provided in the instructions supplied with each product.

Failure to comply with these instructions could result in death or serious injury.

WARRANTY/REMEDY

Honeywell warrants goods of its manufacture as being free of defective materials and faulty workmanship. Honeywell's standard product warranty applies unless agreed to otherwise by Honeywell in writing; please refer to your order acknowledgement or consult your local sales office for specific warranty details. If warranted goods are returned to Honeywell during the period of coverage, Honeywell will repair or replace, at its option, without charge those items it finds defective. **The foregoing is buyer's sole remedy and is in lieu of all other warranties, expressed or implied, including those of merchantability and fitness for a particular purpose. In no event shall Honeywell be liable for consequential, special, or indirect damages.**

While we provide application assistance personally, through our literature and the Honeywell website, it is up to the customer to determine the suitability of the product in the application.

Specifications may change without notice. The information we supply is believed to be accurate and reliable as of this printing. However, we assume no responsibility for its use.

Find out more

Honeywell serves its customers through a worldwide network of sales offices, representatives and distributors. For application assistance, current specifications, pricing or name of the nearest Authorized Distributor, contact your local sales office.

To learn more about Honeywell's sensing and control products, call **+1-815-235-6847** or **1-800-537-6945**, visit **sensing.honeywell.com**, or e-mail inquiries to **info.sc@honeywell.com**

Sensing and Control
Honeywell
1985 Douglas Drive North
Golden Valley, MN 55422
honeywell.com

The Honeywell logo is displayed in a bold, red, sans-serif font.

002345-5-EN IL50 GLO
September 2014
Copyright © 2014 Honeywell International Inc. All rights reserved.